

**3.6A, 200V, 1.500 Ohm, P-Channel Power MOSFETs**

These are advanced power MOSFETs designed, tested, and guaranteed to withstand a specific level of energy in the avalanche breakdown mode of operation. These are P-Channel enhancement-mode silicon gate power field-effect transistors designed for applications such as switching regulators, switching converters, motor drivers, relay drivers, and drivers for high-power bipolar switching transistors requiring high speed and low gate-drive power. These types can be operated directly from integrated circuits.

Formerly developmental type TA17502.

**Ordering Information**

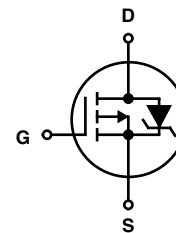
PART NUMBER	PACKAGE	BRAND
IRFR9220	TO-252AA	IF9220
IRFU9220	TO-251AA	IF9220

NOTE: When ordering use the entire part number. Add the suffix 9A to obtain the TO-252AA variant in tape and reel, e.g., IRFR92209A.

**Features**

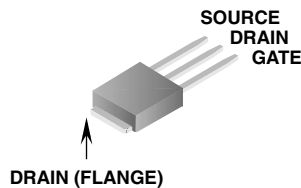
- 3.6A, 200V
- $r_{DS(ON)} = 1.500\Omega$
- Temperature Compensating PSPICE® Model
- Peak Current vs Pulse Width Curve
- UIS Rating Curve
- Related Literature
  - TB334 "Guidelines for Soldering Surface Mount Components to PC Boards"

**Symbol**

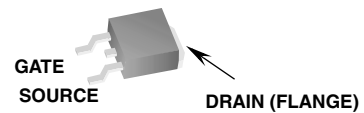


**Packaging**

JEDEC TO-251AA



JEDEC TO-252AA



# IRFR9220, IRFU9220

## Absolute Maximum Ratings $T_C = 25^\circ\text{C}$ , Unless Otherwise Specified

	IRFR9220, IRFU9220	UNITS
Drain to Source Voltage (Note 1) . . . . .	$V_{DSS}$	-200 V
Drain to Gate Voltage ( $R_{GS} = 20k\Omega$ ) (Note 1) . . . . .	$V_{DGR}$	-200 V
Gate to Source Voltage . . . . .	$V_{GS}$	$\pm 20$ V
Continuous Drain Current . . . . .	$I_D$	3.6 A
Pulsed Drain Current (Note 3) . . . . .	$I_{DM}$	Refer to Peak Current Curve
Single Pulse Avalanche Rating . . . . .	$E_{AS}$	Refer to UIS Curve
Power Dissipation . . . . .	$P_D$	42 W
Linear Derating Factor . . . . .		0.33 $W/^\circ\text{C}$
Operating and Storage Temperature . . . . .	$T_J, T_{STG}$	-55 to 150 $^\circ\text{C}$
Maximum Temperature for Soldering		
Leads at 0.063in (1.6mm) from Case for 10s . . . . .	$T_L$	300 $^\circ\text{C}$
Package Body for 10s, See Techbrief 334 . . . . .	$T_{pkg}$	260 $^\circ\text{C}$

CAUTION: Stresses above those listed in "Absolute Maximum Ratings" may cause permanent damage to the device. This is a stress only rating and operation of the device at these or any other conditions above those indicated in the operational sections of this specification is not implied.

**NOTE:**

- $T_J = 25^\circ\text{C}$  to  $125^\circ\text{C}$ .

## Electrical Specifications $T_C = 25^\circ\text{C}$ , Unless Otherwise Specified

PARAMETER	SYMBOL	TEST CONDITIONS	MIN	TYP	MAX	UNITS	
Drain to Source Breakdown Voltage	$BV_{DSS}$	$I_D = 250\mu\text{A}, V_{GS} = 0\text{V}$	-200	-	-	V	
Gate to Threshold Voltage	$V_{GS(TH)}$	$V_{GS} = V_{DS}, I_D = 250\mu\text{A}$	-2.0	-	-4.0	V	
Zero Gate Voltage Drain Current	$I_{DSS}$	$V_{DS} = \text{Rated } BV_{DSS}, V_{GS} = 0\text{V}$	-	-	-25	$\mu\text{A}$	
		$V_{DS} = 0.8 \times \text{Rated } BV_{DSS}, V_{GS} = 0\text{V}, T_C = 150^\circ\text{C}$	-	-	-250	$\mu\text{A}$	
Gate to Source Leakage Current	$I_{GSS}$	$V_{GS} = \pm 20\text{V}$	-	-	$\pm 100$	nA	
Drain to Source On Resistance (Note 2)	$r_{DS(ON)}$	$I_D = 2.2\text{A}, V_{GS} = -10\text{V}$ (Figure 9)	-	-	1.500	$\Omega$	
Turn-On Time	$t_{ON}$	$V_{DD} = -100\text{V}, I_D = 3.9\text{A},$ $R_L = 24\Omega, V_{GS} = -10\text{V},$ $R_{GS} = 18\Omega$ (Figures 13, 16, 17)	-	-	50	ns	
Turn-On Delay Time	$t_{d(ON)}$		-	8.8	-	ns	
Rise Time	$t_r$		-	27	-	ns	
Turn-Off Delay Time	$t_{d(OFF)}$		-	7.3	-	ns	
Fall Time	$t_f$		-	19	-	ns	
Turn-Off Time	$t_{OFF}$	-	-	-	50	ns	
Total Gate Charge	$Q_{g(TOT)}$	$V_{GS} = 0$ to $-10\text{V}$	$V_{DD} = -160\text{V},$ $I_D = 3.9\text{A},$ $R_L = 41\Omega$ $I_{G(REF)} = 1.45\text{mA}$	-	20	-	nC
Gate to Drain Charge	$Q_{gd}$			-	11	-	nC
Gate to Source Charge	$Q_{gs}$			-	3.3	-	nC
Input Capacitance	$C_{ISS}$	$V_{DS} = -25\text{V}, V_{GS} = 0\text{V}, f = 1\text{MHz}$ (Figure 12)	-	550	-	pF	
Output Capacitance	$C_{OSS}$		-	110	-	pF	
Reverse Transfer Capacitance	$C_{RSS}$		-	33	-	pF	
Thermal Resistance Junction to Case	$R_{\theta JC}$		-	-	3.00	$^\circ\text{C/W}$	
Thermal Resistance Junction to Ambient	$R_{\theta JA}$		-	-	100	$^\circ\text{C/W}$	

## Source to Drain Diode Specifications

PARAMETER	SYMBOL	TEST CONDITIONS	MIN	TYP	MAX	UNITS
Source to Drain Diode Voltage (Note 2)	$V_{SD}$	$I_{SD} = -3.6\text{A}$	-	-	-6.3	V
Diode Reverse Recovery Time	$t_{rr}$	$I_{SD} = -3.6\text{A}, dI_{SD}/dt = -100\text{A}/\mu\text{s}$	-	150	300	ns
Reverse Recovery Charge	$Q_{RR}$			0.97	2.0	$\mu\text{C}$

**NOTES:**

- Pulse test: pulse width  $\leq 300\mu\text{s}$ , duty cycle  $\leq 2\%$ .
- Repetitive rating: pulse width limited by maximum junction temperature. See Transient Thermal Impedance curve (Figure 3).

Typical Performance Curves Unless Otherwise Specified

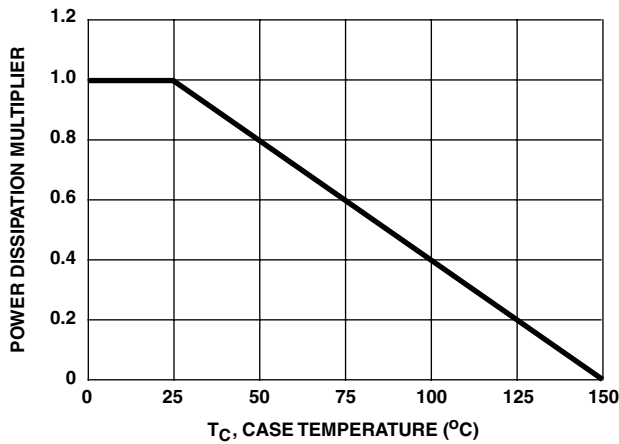


FIGURE 1. NORMALIZED POWER DISSIPATION vs CASE TEMPERATURE

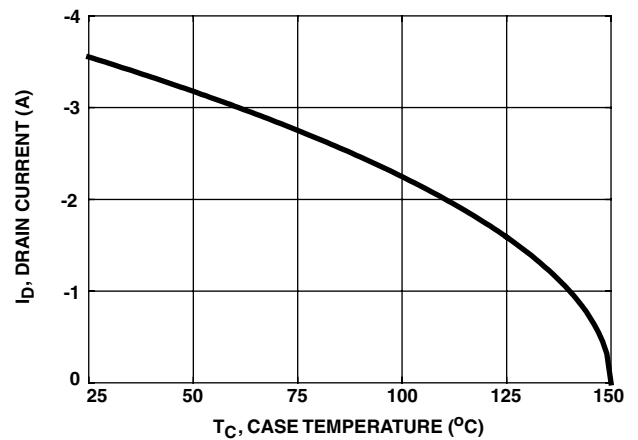


FIGURE 2. MAXIMUM CONTINUOUS DRAIN CURRENT vs CASE TEMPERATURE

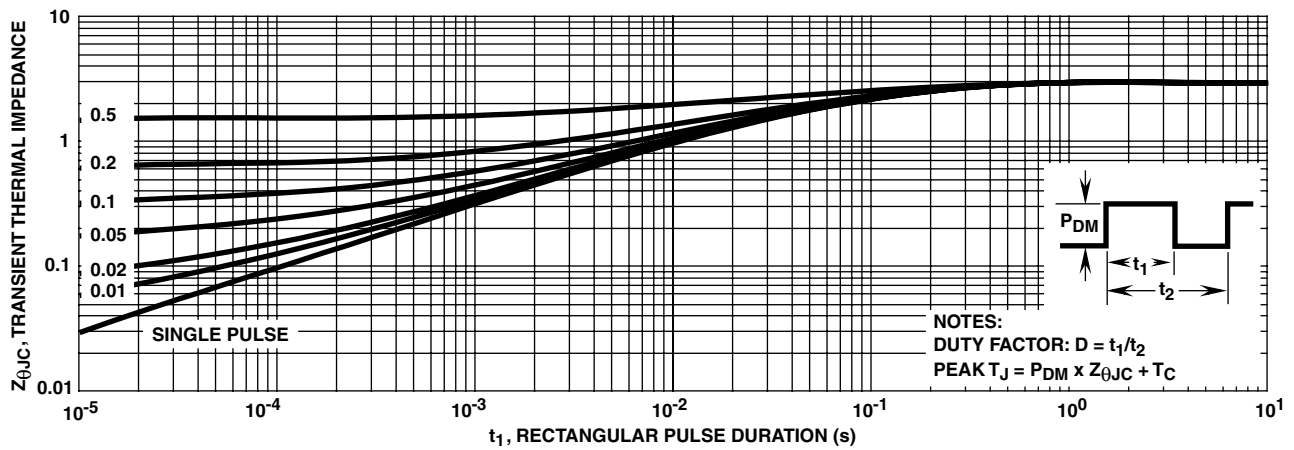


FIGURE 3. MAXIMUM TRANSIENT THERMAL IMPEDANCE

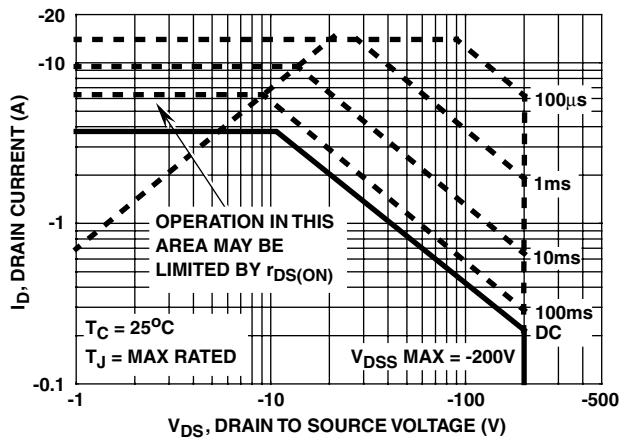


FIGURE 4. FORWARD BIAS SAFE OPERATING AREA

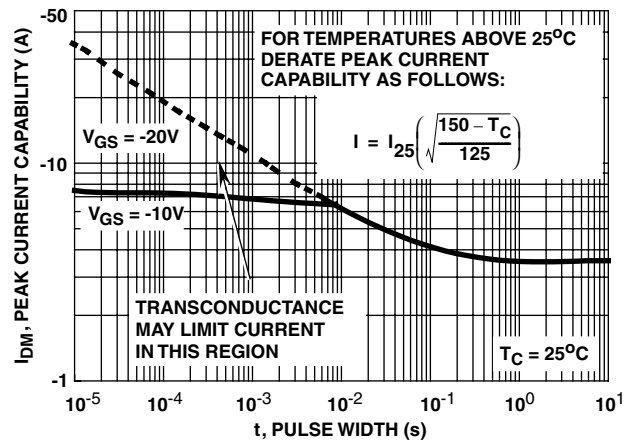


FIGURE 5. PEAK CURRENT CAPABILITY

Typical Performance Curves Unless Otherwise Specified (Continued)

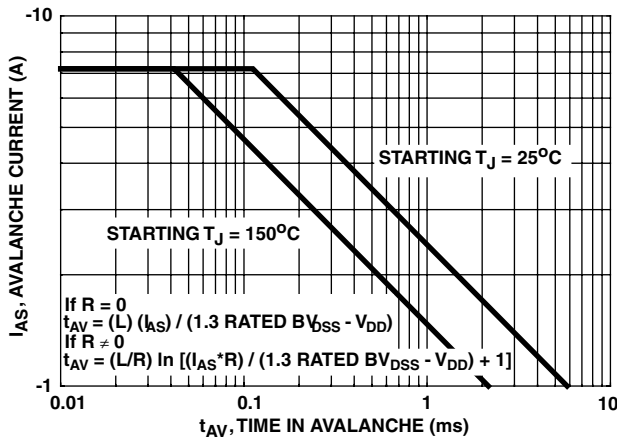


FIGURE 6. UNCLAMPED INDUCTIVE SWITCHING

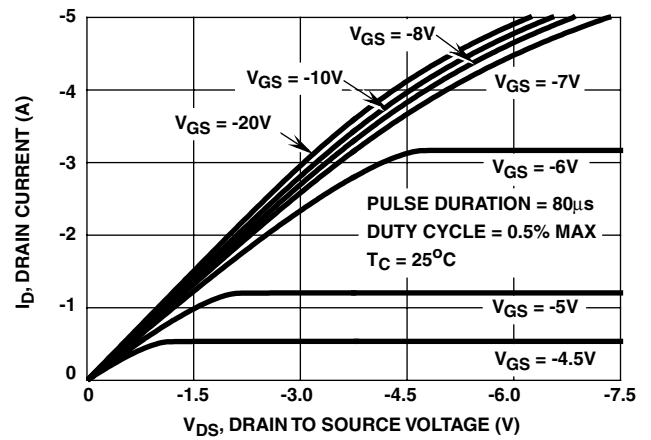


FIGURE 7. SATURATION CHARACTERISTICS

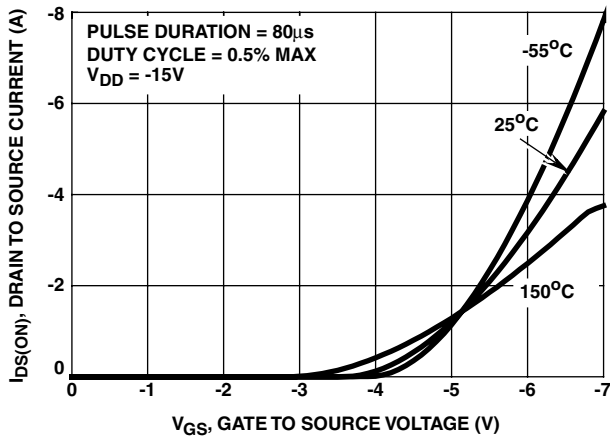


FIGURE 8. TRANSFER CHARACTERISTICS

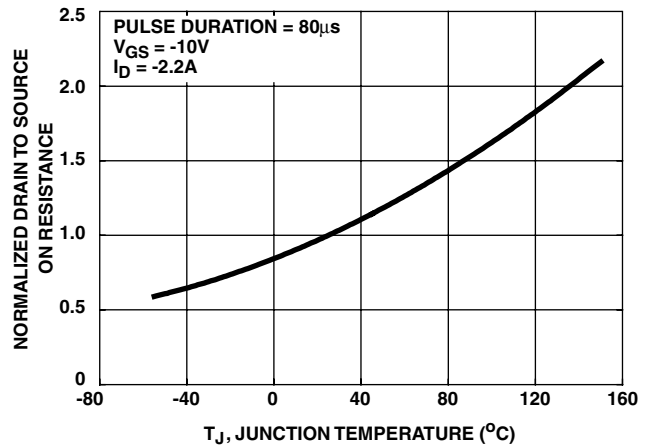


FIGURE 9. NORMALIZED DRAIN TO SOURCE ON RESISTANCE vs JUNCTION TEMPERATURE

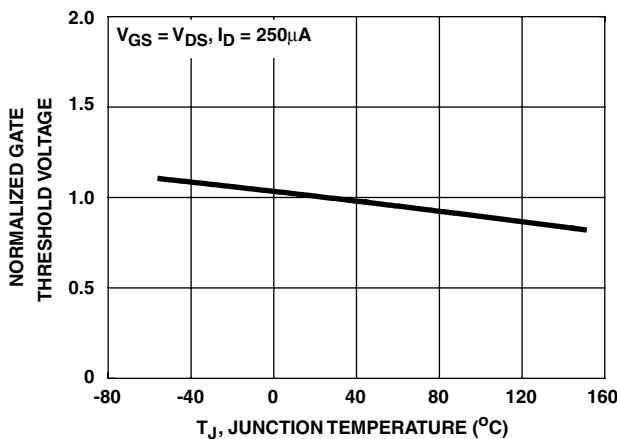


FIGURE 10. NORMALIZED GATE THRESHOLD VOLTAGE vs TEMPERATURE

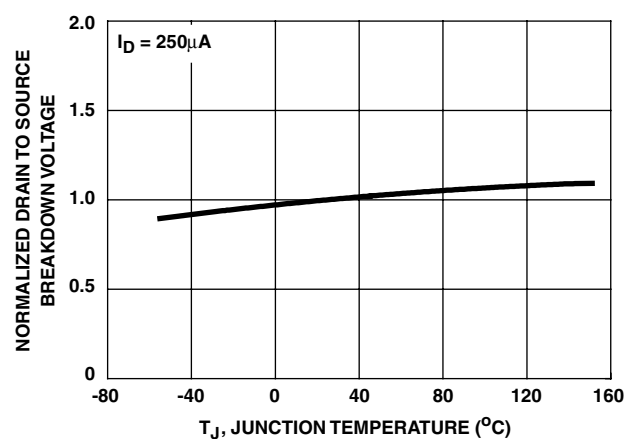


FIGURE 11. NORMALIZED DRAIN TO SOURCE BREAKDOWN VOLTAGE vs TEMPERATURE

**Typical Performance Curves** Unless Otherwise Specified (Continued)

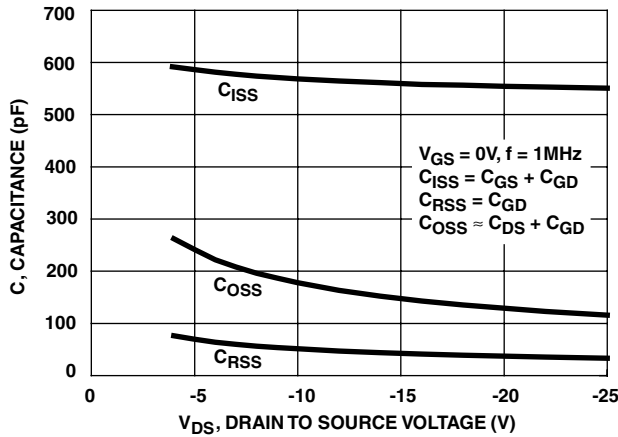
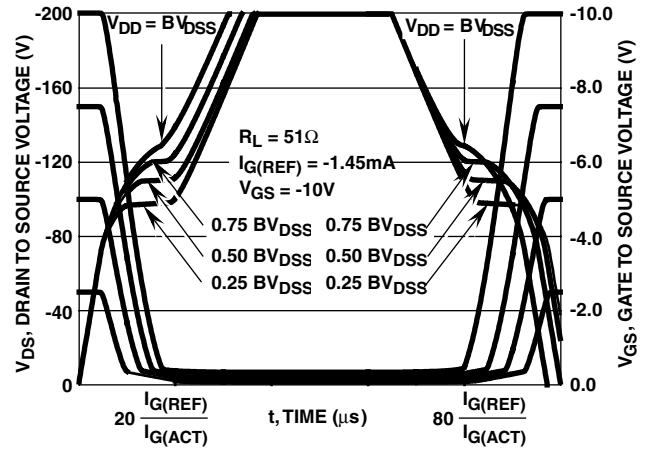


FIGURE 12. CAPACITANCE vs DRAIN TO SOURCE VOLTAGE



NOTE: Refer to Application Notes AN7254 and AN7260.

FIGURE 13. NORMALIZED SWITCHING WAVEFORMS FOR CONSTANT GATE CURRENT

**Test Circuits and Waveforms**

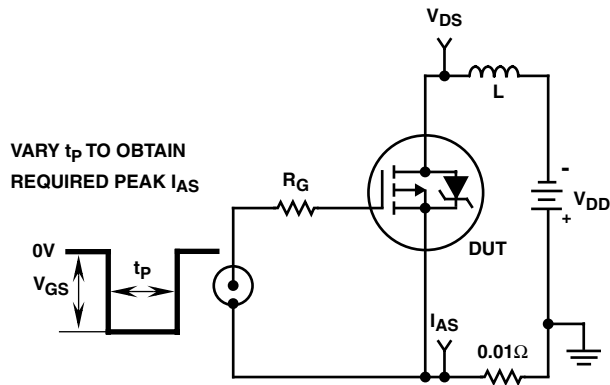


FIGURE 14. UNCLAMPED ENERGY TEST CIRCUIT

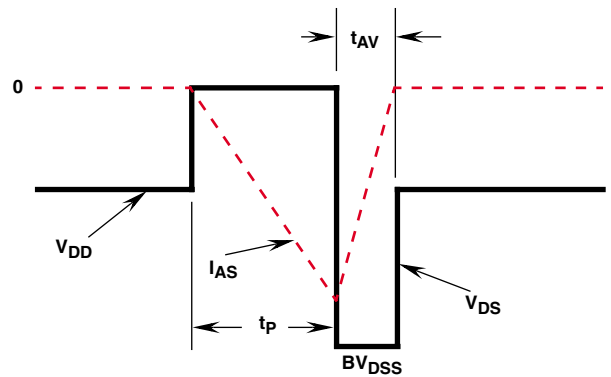


FIGURE 15. UNCLAMPED ENERGY WAVEFORMS

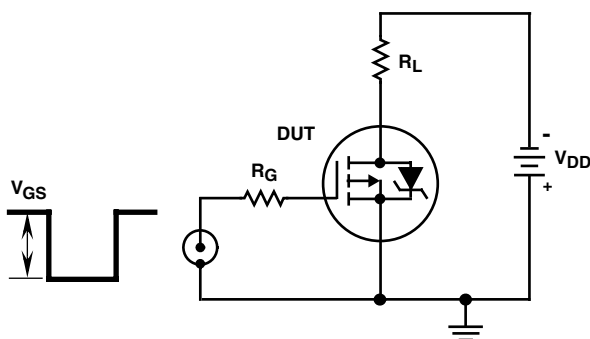


FIGURE 16. SWITCHING TIME TEST CIRCUIT

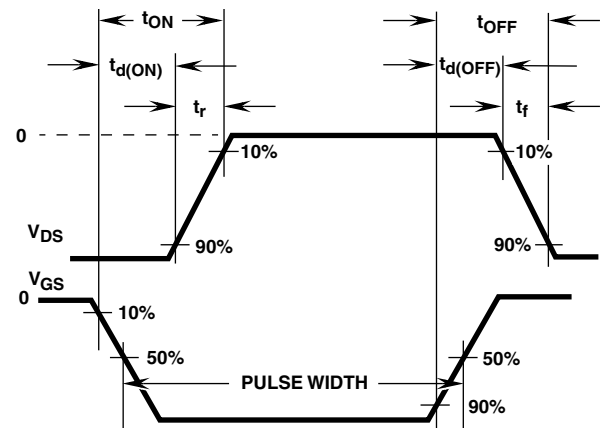


FIGURE 17. RESISTIVE SWITCHING WAVEFORMS

Test Circuits and Waveforms (Continued)

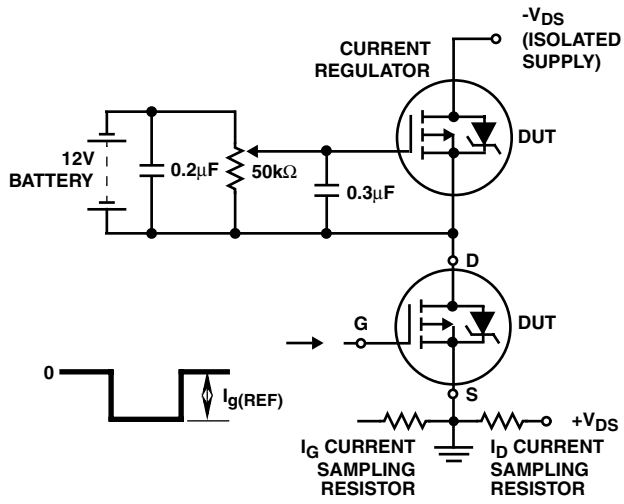


FIGURE 18. GATE CHARGE TEST CIRCUIT

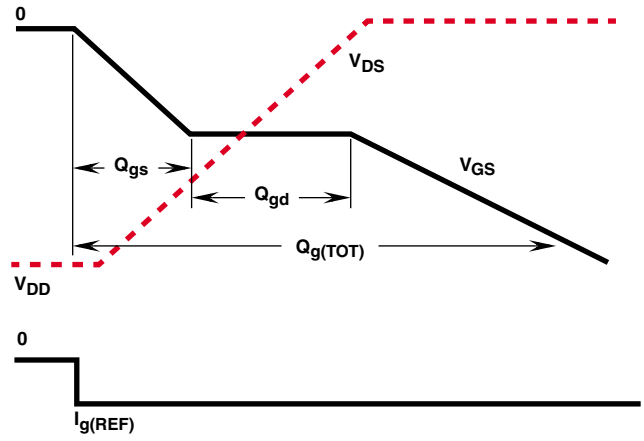


FIGURE 19. GATE CHARGE WAVEFORMS

# IRFR9220, IRFU9220

## PSPICE Electrical Model

.SUBCKT IRFU9220 2 1 3 REV 9/6/94

CA 12 8 723e-12  
 CB 15 14 733e-12  
 CIN 6 8 517e-12

DBODY 5 7 DBDMOD  
 DBREAK 5 11 DBKMOD  
 DPLCAP 10 6 DPLCAPMOD

EBREAK 7 11 17 18 -244.4  
 EDS 14 8 5 8 1  
 EGS 13 8 6 8 1  
 ESG 5 10 8 6 1  
 EVTO 20 6 8 18 1

IT 8 17 1

LDRAIN 2 5 1e-9  
 LGATE 1 9 2.609e-9  
 LSOURCE 3 7 2.609e-9

MOS1 16 6 8 8 MOSMOD M=0.99  
 MOS2 16 21 8 8 MOSMOD M=0.01

RBREAK 17 18 RBKMOD 1  
 RDRAIN 50 16 RDSMOD 1.194  
 RGATE 9 20 2.17  
 RIN 6 8 1e9  
 RLDRAIN 2 5 10  
 RLGATE 1 9 26.09  
 RLSOURCE 3 7 26.09  
 RSCL1 5 51 RSCLMOD 1e-6  
 RSCL2 5 50 1e3  
 RSOURCE 8 7 RDSMOD 90.1e-3  
 RVTO 18 19 RVTOMOD 1

S1A 6 12 13 8 S1AMOD  
 S1B 13 12 13 8 S1BMOD  
 S2A 6 15 14 13 S2AMOD  
 S2B 13 15 14 13 S2BMOD

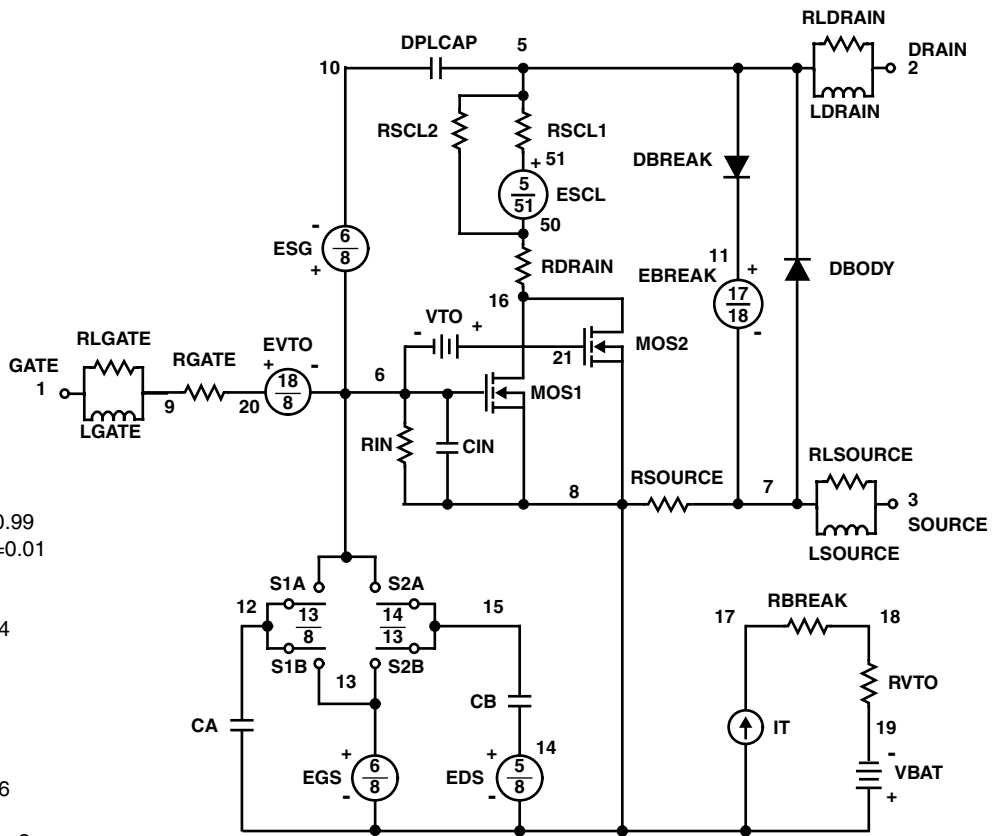
VBAT 8 19 DC 1  
 VTO 21 6 -0.77

ESCL 51 50 VALUE={(V(5,51)/ABS(V(5,51)))\*(PWR(V(5,51))\*1e6/4.6,6)}

.MODEL DBDMOD D (IS=2.56e-14 RS=8.09e-2 TRS1=-2.45e-3 TRS2=-1.33e-5 CJO=4.21e-10 TT=1.17e-7)  
 .MODEL DBKMOD D (RS=5.07 TRS1=-1.05e-3 TRS2=1.28e-5)  
 .MODEL DPLCAPMOD D (CJO=170e-12 IS=1e-30 N=10)  
 .MODEL MOSMOD PMOS (VTO=-3.58 KP=1.38 IS=1e-30 N=10 TOX=1 L=1u W=1u)  
 .MODEL RBKMOD RES (TC1=1.1e-3 TC2=-2.73e-6)  
 .MODEL RDSMOD RES (TC1=6.95e-3 TC2=2.23e-5)  
 .MODEL RSCLMOD RES (TC1=2.40e-3 TC2=-1.5e-5)  
 .MODEL RVTOMOD RES (TC1=-3.27e-3 TC2=-1.33e-6)  
 .MODEL S1AMOD VSWITCH (RON=1e-5 ROFF=0.1 VON=5.29 VOFF=3.29)  
 .MODEL S1BMOD VSWITCH (RON=1e-5 ROFF=0.1 VON=3.29 VOFF=5.29)  
 .MODEL S2AMOD VSWITCH (RON=1e-5 ROFF=0.1 VON=0.1 VOFF=-4.9)  
 .MODEL S2BMOD VSWITCH (RON=1e-5 ROFF=0.1 VON=-4.9 VOFF=0.1)

.ENDS

NOTE: For further discussion of the PSPICE model, consult **A New PSPICE Sub-Circuit for the Power MOSFET Featuring Global Temperature Options**; written by William J. Hepp and C. Frank Wheatley.



## TRADEMARKS

The following are registered and unregistered trademarks Fairchild Semiconductor owns or is authorized to use and is not intended to be an exhaustive list of all such trademarks.

ACE <sub>x</sub> <sup>TM</sup>	FAST <sup>®</sup>	OPTOLOGIC <sup>TM</sup>	SMART START <sup>TM</sup>	VCX <sup>TM</sup>
Bottomless <sup>TM</sup>	FAST <sub>r</sub> <sup>TM</sup>	OPTOPLANAR <sup>TM</sup>	STAR*POWER <sup>TM</sup>	
CoolFET <sup>TM</sup>	FRFET <sup>TM</sup>	PACMAN <sup>TM</sup>	Stealth <sup>TM</sup>	
CROSSVOLT <sup>TM</sup>	GlobalOptoisolator <sup>TM</sup>	POP <sup>TM</sup>	SuperSOT <sup>TM</sup> -3	
DenseTrench <sup>TM</sup>	GTO <sup>TM</sup>	Power247 <sup>TM</sup>	SuperSOT <sup>TM</sup> -6	
DOMET <sup>TM</sup>	HiSeC <sup>TM</sup>	PowerTrench <sup>®</sup>	SuperSOT <sup>TM</sup> -8	
EcoSPARK <sup>TM</sup>	ISOPLANAR <sup>TM</sup>	QFET <sup>TM</sup>	SyncFET <sup>TM</sup>	
E <sup>2</sup> CMOS <sup>TM</sup>	LittleFET <sup>TM</sup>	QS <sup>TM</sup>	TinyLogic <sup>TM</sup>	
EnSigna <sup>TM</sup>	MicroFET <sup>TM</sup>	QT Optoelectronics <sup>TM</sup>	TruTranslation <sup>TM</sup>	
FACT <sup>TM</sup>	MicroPak <sup>TM</sup>	Quiet Series <sup>TM</sup>	UHC <sup>TM</sup>	
FACT Quiet Series <sup>TM</sup>	MICROWIRE <sup>TM</sup>	SILENT SWITCHER <sup>®</sup>	UltraFET <sup>®</sup>	

STAR\*POWER is used under license

## DISCLAIMER

FAIRCHILD SEMICONDUCTOR RESERVES THE RIGHT TO MAKE CHANGES WITHOUT FURTHER NOTICE TO ANY PRODUCTS HEREIN TO IMPROVE RELIABILITY, FUNCTION OR DESIGN. FAIRCHILD DOES NOT ASSUME ANY LIABILITY ARISING OUT OF THE APPLICATION OR USE OF ANY PRODUCT OR CIRCUIT DESCRIBED HEREIN; NEITHER DOES IT CONVEY ANY LICENSE UNDER ITS PATENT RIGHTS, NOR THE RIGHTS OF OTHERS.

## LIFE SUPPORT POLICY

FAIRCHILD'S PRODUCTS ARE NOT AUTHORIZED FOR USE AS CRITICAL COMPONENTS IN LIFE SUPPORT DEVICES OR SYSTEMS WITHOUT THE EXPRESS WRITTEN APPROVAL OF FAIRCHILD SEMICONDUCTOR CORPORATION.

As used herein:

1. Life support devices or systems are devices or systems which, (a) are intended for surgical implant into the body, or (b) support or sustain life, or (c) whose failure to perform when properly used in accordance with instructions for use provided in the labeling, can be reasonably expected to result in significant injury to the user.
2. A critical component is any component of a life support device or system whose failure to perform can be reasonably expected to cause the failure of the life support device or system, or to affect its safety or effectiveness.

## PRODUCT STATUS DEFINITIONS

### Definition of Terms

Datasheet Identification	Product Status	Definition
Advance Information	Formative or In Design	This datasheet contains the design specifications for product development. Specifications may change in any manner without notice.
Preliminary	First Production	This datasheet contains preliminary data, and supplementary data will be published at a later date. Fairchild Semiconductor reserves the right to make changes at any time without notice in order to improve design.
No Identification Needed	Full Production	This datasheet contains final specifications. Fairchild Semiconductor reserves the right to make changes at any time without notice in order to improve design.
Obsolete	Not In Production	This datasheet contains specifications on a product that has been discontinued by Fairchild semiconductor. The datasheet is printed for reference information only.



This datasheet has been download from:

[www.datasheetcatalog.com](http://www.datasheetcatalog.com)

Datasheets for electronics components.