

## Welcome to Schmidt Maschinenbau

For each bicycle the right hub dynamo.

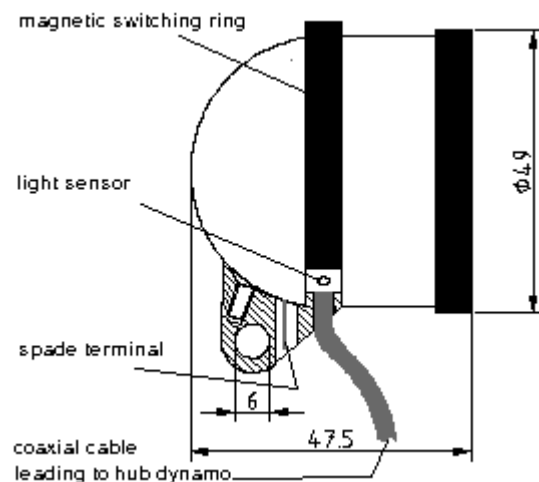
So far we didn't find the time to translate the german pages - sorry, but we are working on it.

### SON 20 R



Here is information about our new hub generator [SON 20 R](#) as PDF-file.

### LED-Headlight *Edelux*



Here is information about our new LED-Headlight [Edelux](#) as PDF-file.

Here you can get an article of Velo Vision Issue 30 June 2008 on [Edelux](#) as PDF-file.

### Download

You may download [installation instructions](#) for our products as PDF-files.

**Some English information about the SON can be found at:**

[www.peterwhitecycles.com/schmidt.asp](http://www.peterwhitecycles.com/schmidt.asp)

Our distributor in the US shows our range of products.

[www.myra-simon.com/bike/dynotest.html](http://www.myra-simon.com/bike/dynotest.html)

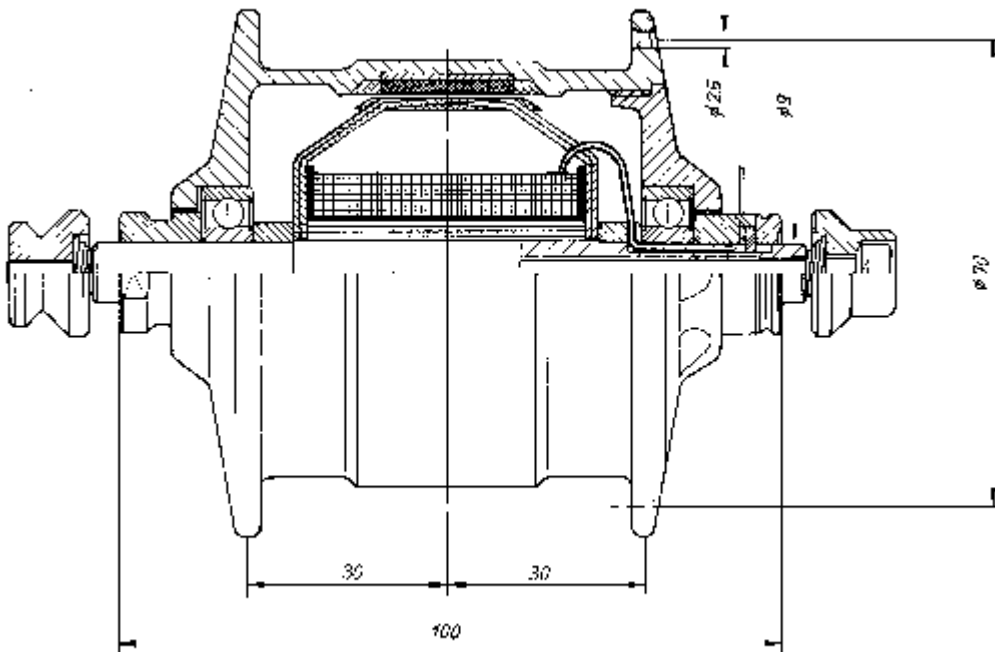
An older dynamo test article from the CTC magazine.

[www.vintagebicyclepress.com/VBQgenerator.pdf](http://www.vintagebicyclepress.com/VBQgenerator.pdf)

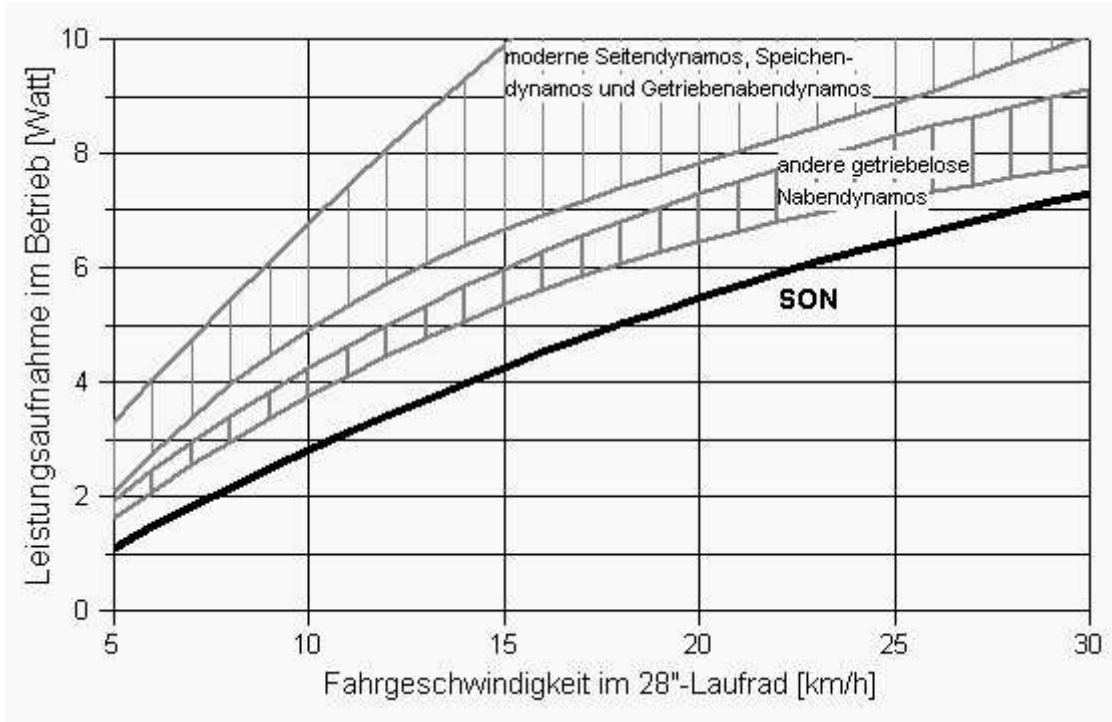
A comparison of current hub dynamos.

[www.audax.uk.net/lights/dyno.htm](http://www.audax.uk.net/lights/dyno.htm)

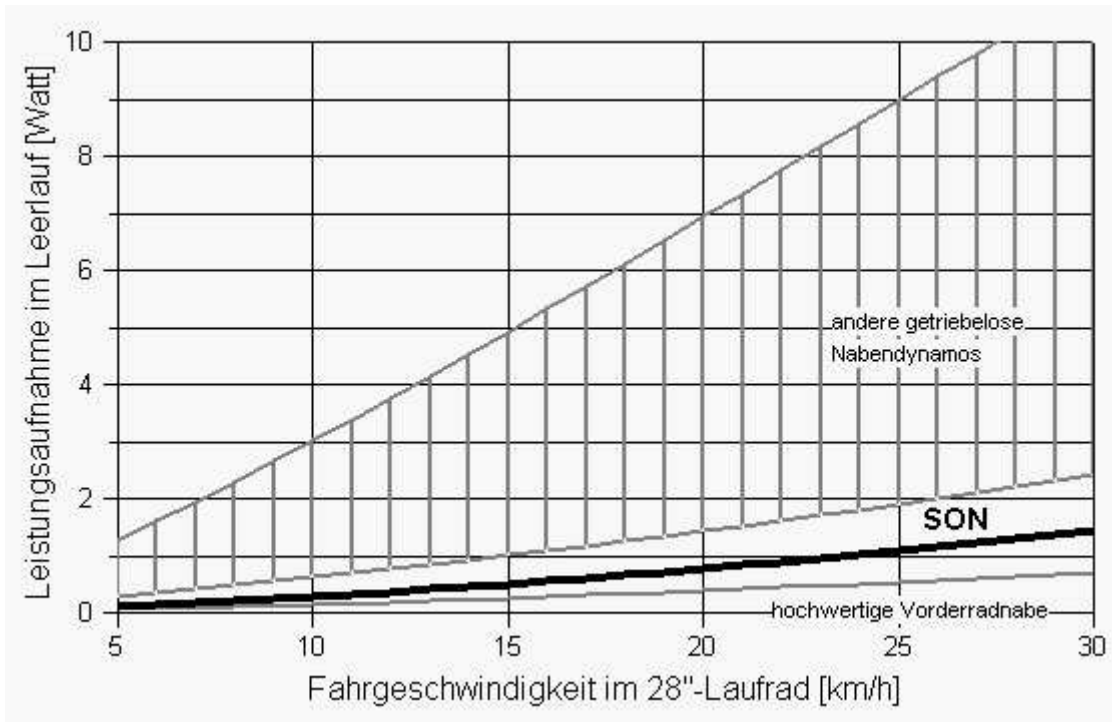
A survey of all aspects of dynamo use for long distance touring.



Generator Drag (measured in Watt) shown at speeds between 5 and 30km/h



Hub Drag (measured in Watt) with lights switched off



Translation of the terms used in the diagrams:

andere getriebelose Nabendynamos  
other gearless hub generators

Walzen-, Speichen- und Getriebe-Nabendynamos, neuere Seitendynamos  
bottom bracket dynamos, hub generators with gearing, recent bottle dynamos

hochwertige Vorderradnabe  
high-quality front wheel hub