

# MC33153

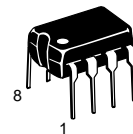
## Single IGBT Gate Driver

The MC33153 is specifically designed as an IGBT driver for high power applications that include ac induction motor control, brushless dc motor control and uninterruptable power supplies. Although designed for driving discrete and module IGBTs, this device offers a cost effective solution for driving power MOSFETs and Bipolar Transistors. Device protection features include the choice of desaturation or overcurrent sensing and undervoltage detection. These devices are available in dual-in-line and surface mount packages and include the following features:

- High Current Output Stage: 1.0 A Source/2.0 A Sink
- Protection Circuits for Both Conventional and Sense IGBTs
- Programmable Fault Blanking Time
- Protection against Overcurrent and Short Circuit
- Undervoltage Lockout Optimized for IGBT's
- Negative Gate Drive Capability
- Cost Effectively Drives Power MOSFETs and Bipolar Transistors

### SINGLE IGBT GATE DRIVER

### SEMICONDUCTOR TECHNICAL DATA

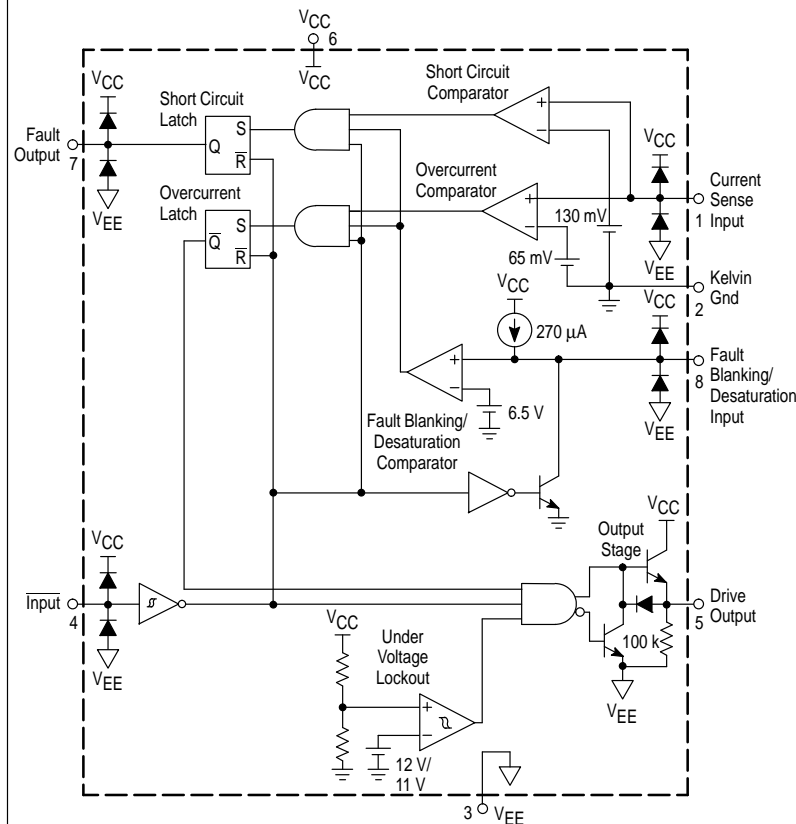


**P SUFFIX**  
PLASTIC PACKAGE  
CASE 626



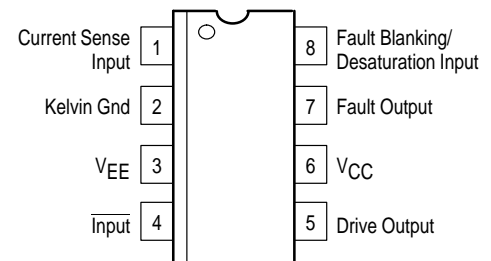
**D SUFFIX**  
PLASTIC PACKAGE  
CASE 751  
(SO-8)

### Representative Block Diagram



This device contains 133 active transistors.

### PIN CONNECTIONS



(Top View)

### ORDERING INFORMATION

Device	Operating Temperature Range	Package
MC33153D	$T_A = -40^\circ \text{ to } +105^\circ \text{C}$	SO-8
MC33153P		DIP-8

# MC33153

## MAXIMUM RATINGS

Rating	Symbol	Value	Unit
Power Supply Voltage V <sub>CC</sub> to V <sub>EE</sub> Kelvin Ground to V <sub>EE</sub> (Note 1)	V <sub>CC</sub> – V <sub>EE</sub> KGnd – V <sub>EE</sub>	20 20	V
Logic Input	V <sub>in</sub>	V <sub>EE</sub> – 0.3 to V <sub>CC</sub>	V
Current Sense Input	V <sub>S</sub>	–0.3 to V <sub>CC</sub>	V
Blanking/Desaturation Input	V <sub>BD</sub>	–0.3 to V <sub>CC</sub>	V
Gate Drive Output Source Current Sink Current Diode Clamp Current	I <sub>O</sub>	1.0 2.0 1.0	A
Fault Output Source Current Sink Current	I <sub>FO</sub>	25 10	mA
Power Dissipation and Thermal Characteristics D Suffix SO–8 Package, Case 751 Maximum Power Dissipation @ T <sub>A</sub> = 50°C Thermal Resistance, Junction–to–Air P Suffix DIP–8 Package, Case 626 Maximum Power Dissipation @ T <sub>A</sub> = 50°C Thermal Resistance, Junction–to–Air	P <sub>D</sub> R <sub>θJA</sub>  P <sub>D</sub> R <sub>θJA</sub>	0.56 180  1.0 100	W °C/W  W °C/W
Operating Junction Temperature	T <sub>J</sub>	+150	°C
Operating Ambient Temperature	T <sub>A</sub>	–40 to +105	°C
Storage Temperature Range	T <sub>stg</sub>	–65 to +150	°C

**NOTE:** ESD data available upon request.

**ELECTRICAL CHARACTERISTICS** (V<sub>CC</sub> = 15 V, V<sub>EE</sub> = 0 V, Kelvin Gnd connected to V<sub>EE</sub>. For typical values T<sub>A</sub> = 25°C, for min/max values T<sub>A</sub> is the operating ambient temperature range that applies (Note 2), unless otherwise noted.)

Characteristic	Symbol	Min	Typ	Max	Unit
----------------	--------	-----	-----	-----	------

### LOGIC INPUT

Input Threshold Voltage High State (Logic 1) Low State (Logic 0)	V <sub>IH</sub> V <sub>IL</sub>	– 1.2	2.70 2.30	3.2 –	V
Input Current High State (V <sub>IH</sub> = 3.0 V) Low State (V <sub>IL</sub> = 1.2 V)	I <sub>IH</sub> I <sub>IL</sub>	– –	130 50	500 100	μA

### DRIVE OUTPUT

Output Voltage Low State (I <sub>Sink</sub> = 1.0 A) High State (I <sub>Source</sub> = 500 mA)	V <sub>OL</sub> V <sub>OH</sub>	– 12	2.0 13.9	2.5 –	V
Output Pull–Down Resistor	R <sub>PD</sub>	–	100	200	kΩ

### FAULT OUTPUT

Output voltage Low State (I <sub>Sink</sub> = 5.0 mA) High State (I <sub>Source</sub> = 20 mA)	V <sub>FL</sub> V <sub>FH</sub>	– 12	0.2 13.3	1.0 –	V
--	------------------------------------	---------	-------------	----------	---

### SWITCHING CHARACTERISTICS

Propagation Delay (50% Input to 50% Output C <sub>L</sub> = 1.0 nF) Logic Input to Drive Output Rise Logic Input to Drive Output Fall	t <sub>PLH</sub> (in/out) t <sub>PHL</sub> (in/out)	– –	80 120	300 300	ns
Drive Output Rise Time (10% to 90%) C <sub>L</sub> = 1.0 nF	t <sub>r</sub>	–	17	55	ns
Drive Output Fall Time (90% to 10%) C <sub>L</sub> = 1.0 nF	t <sub>f</sub>	–	17	55	ns

**NOTES:** 1. Kelvin Ground must always be between V<sub>EE</sub> and V<sub>CC</sub>.  
2. Low duty cycle pulse techniques are used during test to maintain the junction temperature as close to ambient as possible.  
T<sub>low</sub> = –40°C for MC33153      T<sub>high</sub> = +105°C for MC33153

# MC33153

**ELECTRICAL CHARACTERISTICS (continued)** ( $V_{CC} = 15\text{ V}$ ,  $V_{EE} = 0\text{ V}$ , Kelvin Gnd connected to  $V_{EE}$ . For typical values  $T_A = 25^\circ\text{C}$ , for min/max values  $T_A$  is the operating ambient temperature range that applies (Note 2), unless otherwise noted.)

Characteristic	Symbol	Min	Typ	Max	Unit
----------------	--------	-----	-----	-----	------

## SWITCHING CHARACTERISTICS (continued)

Propagation Delay Current Sense Input to Drive Output	$t_{P(OC)}$	–	0.3	1.0	$\mu\text{s}$
Fault Blanking/Desaturation Input to Drive Output	$t_{P(FLT)}$	–	0.3	1.0	

## UVLO

Startup Voltage	$V_{CC\text{ start}}$	11.3	12	12.6	V
Disable Voltage	$V_{CC\text{ dis}}$	10.4	11	11.7	V

## COMPARATORS

Overcurrent Threshold Voltage ( $V_{P_{in8}} > 7.0\text{ V}$ )	$V_{SOC}$	50	65	80	mV
Short Circuit Threshold Voltage ( $V_{P_{in8}} > 7.0\text{ V}$ )	$V_{SSC}$	100	130	160	mV
Fault Blanking/Desaturation Threshold ( $V_{P_{in1}} > 100\text{ mV}$ )	$V_{th(FLT)}$	6.0	6.5	7.0	V
Current Sense Input Current ( $V_{S_I} = 0\text{ V}$ )	$I_{SI}$	–	–1.4	–10	$\mu\text{A}$

## FAULT BLANKING/DESATURATION INPUT

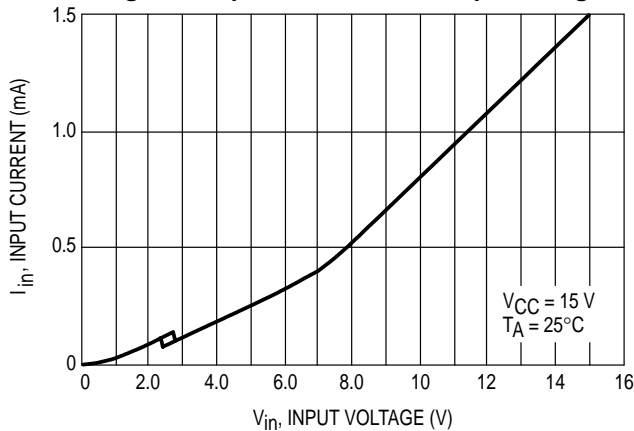
Current Source ( $V_{P_{in8}} = 0\text{ V}$ , $V_{P_{in4}} = 0\text{ V}$ )	$I_{chg}$	–200	–270	–300	$\mu\text{A}$
Discharge Current ( $V_{P_{in8}} = 15\text{ V}$ , $V_{P_{in4}} = 5.0\text{ V}$ )	$I_{dschg}$	1.0	2.5	–	mA

## TOTAL DEVICE

Power Supply Current Standby ( $V_{P_{in4}} = V_{CC}$ , Output Open) Operating ( $C_L = 1.0\text{ nF}$ , $f = 20\text{ kHz}$ )	$I_{CC}$	–	7.2	14	mA
		–	7.9	20	

- NOTES:** 1. Kelvin Ground must always be between  $V_{EE}$  and  $V_{CC}$ .  
 2. Low duty cycle pulse techniques are used during test to maintain the junction temperature as close to ambient as possible.  
 $T_{low} = -40^\circ\text{C}$  for MC33153       $T_{high} = +105^\circ\text{C}$  for MC33153

**Figure 1. Input Current versus Input Voltage**



**Figure 2. Output Voltage versus Input Voltage**

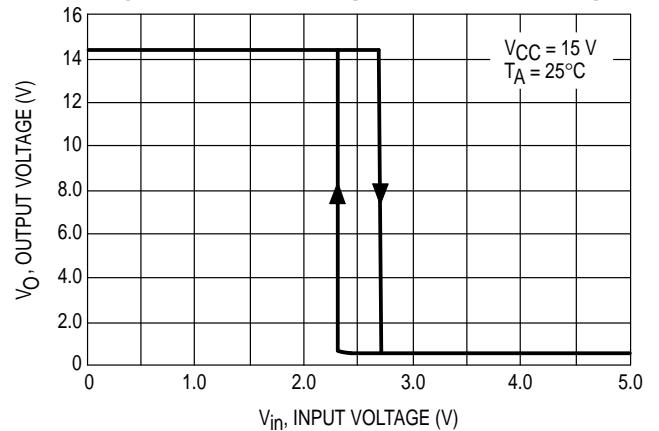


Figure 3. Input Threshold Voltage versus Temperature

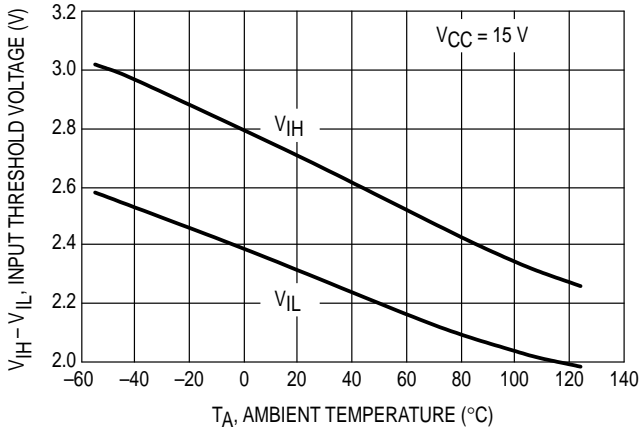


Figure 4. Input Threshold Voltage versus Supply Voltage

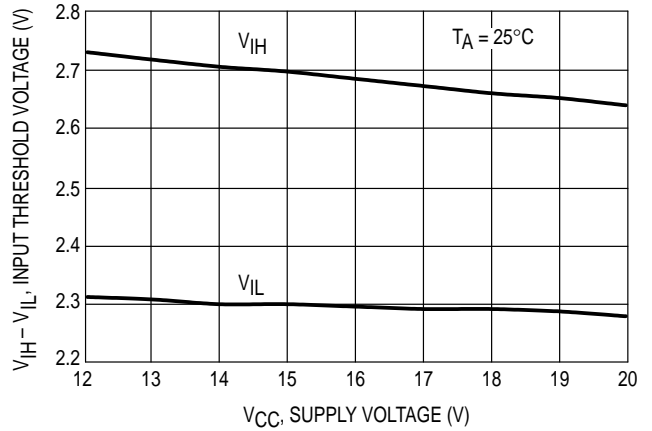


Figure 5. Drive Output Low State Voltage versus Temperature

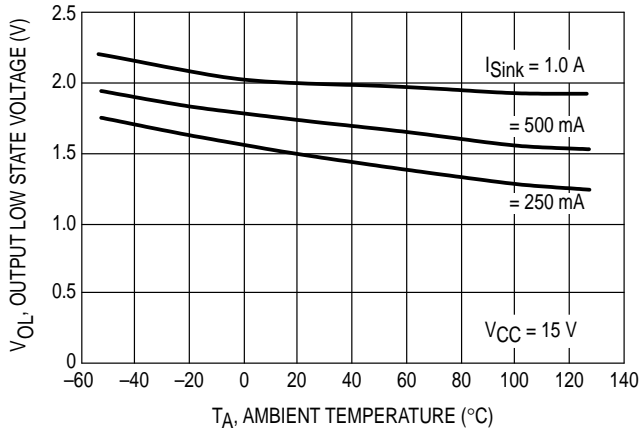


Figure 6. Drive Output Low State Voltage versus Sink Current

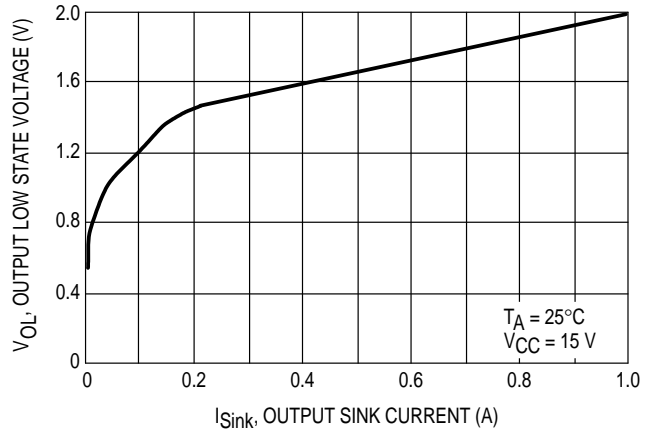


Figure 7. Drive Output High State Voltage versus Temperature

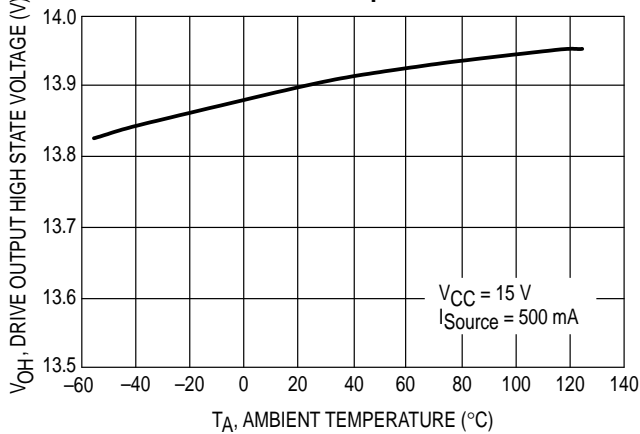
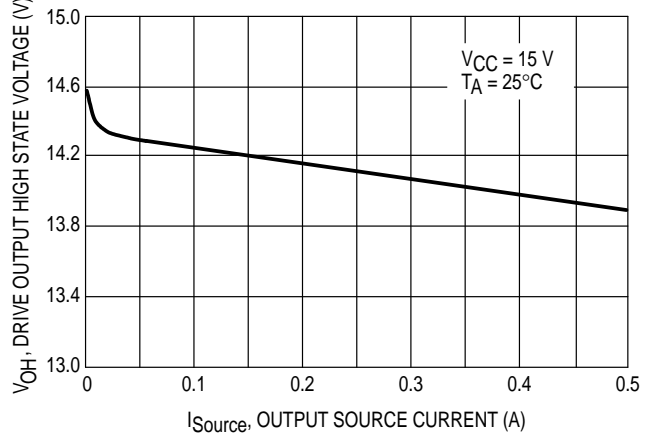
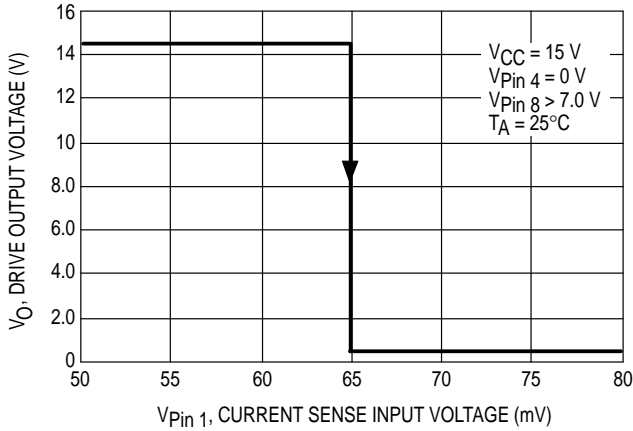


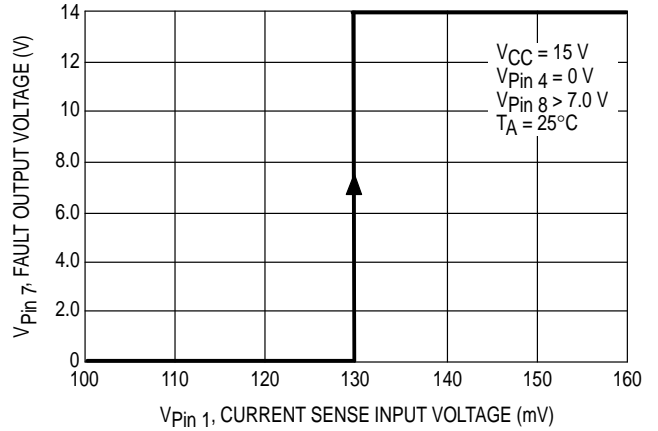
Figure 8. Drive Output High State Voltage versus Source Current



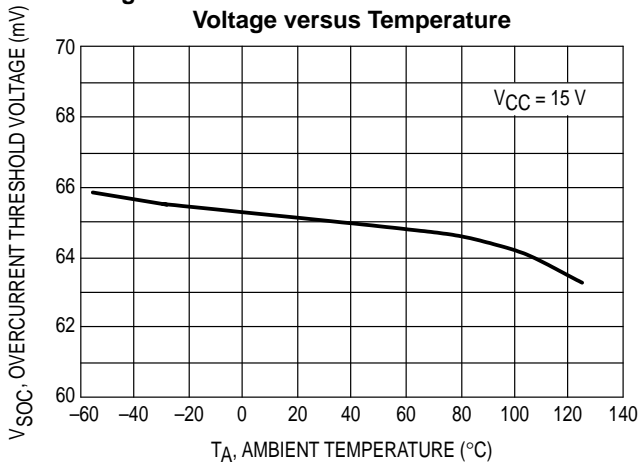
**Figure 9. Drive Output Voltage versus Current Sense Input Voltage**



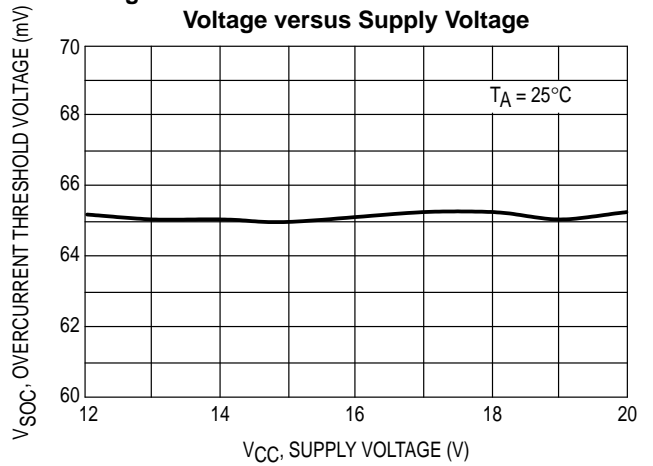
**Figure 10. Fault Output Voltage versus Current Sense Input Voltage**



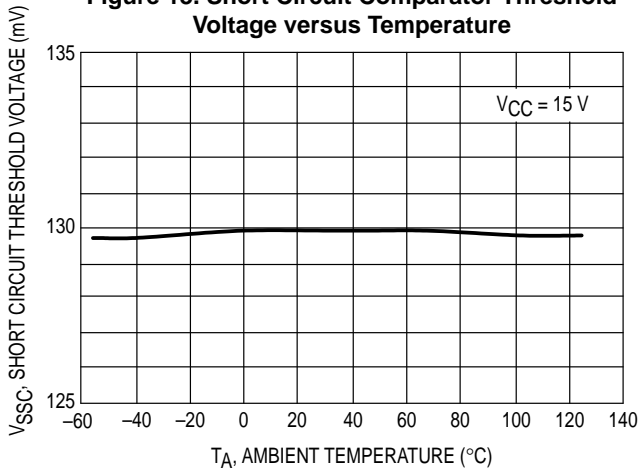
**Figure 11. Overcurrent Protection Threshold Voltage versus Temperature**



**Figure 12. Overcurrent Protection Threshold Voltage versus Supply Voltage**



**Figure 13. Short Circuit Comparator Threshold Voltage versus Temperature**



**Figure 14. Short Circuit Comparator Threshold Voltage versus Supply Voltage**

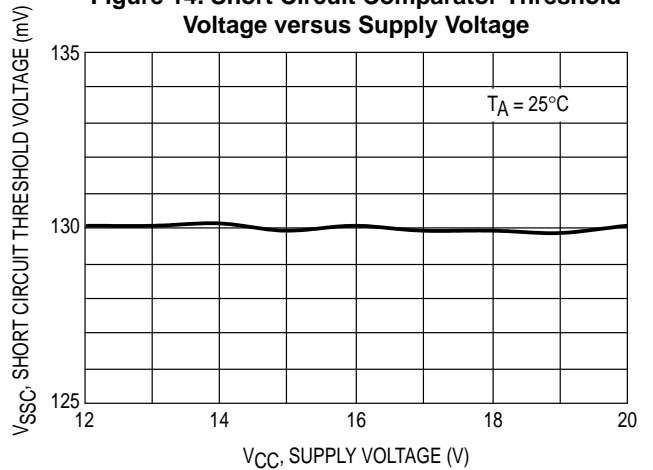


Figure 15. Current Sense Input Current versus Voltage

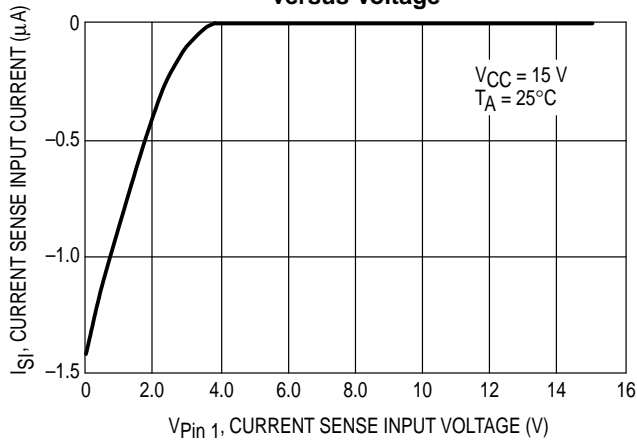


Figure 16. Drive Output Voltage versus Fault Blanking/Desaturation Input Voltage

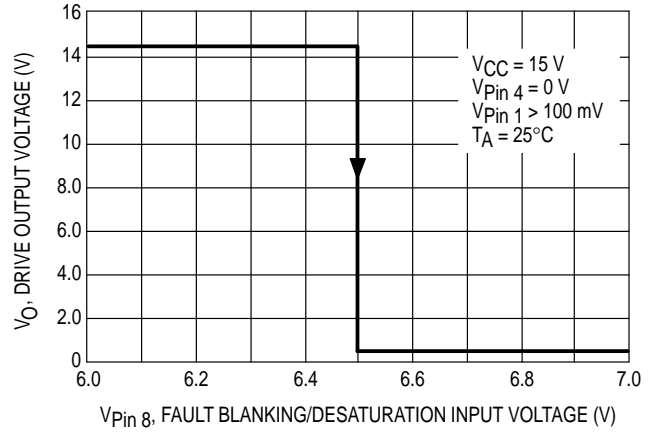


Figure 17. Fault Blanking/Desaturation Comparator Threshold Voltage versus Temperature

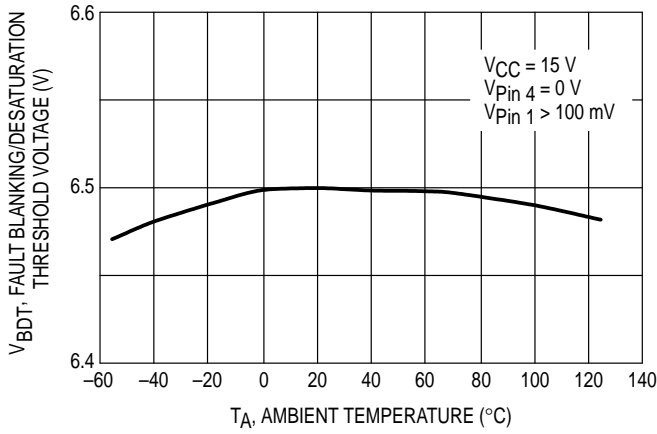


Figure 18. Fault Blanking/Desaturation Comparator Threshold Voltage versus Supply Voltage

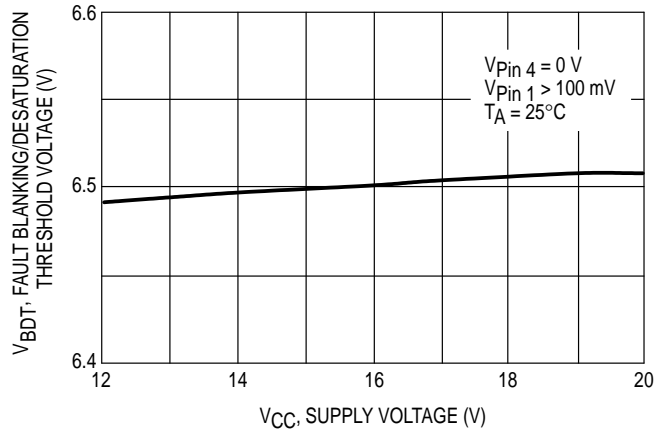


Figure 19. Fault Blanking/Desaturation Current Source versus Temperature

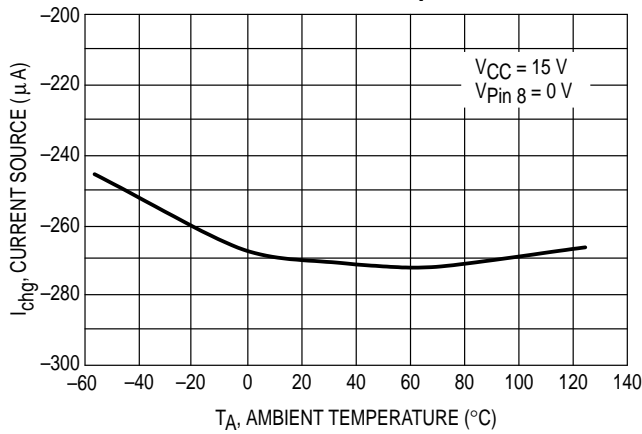


Figure 20. Fault Blanking/Desaturation Current Source versus Supply Voltage

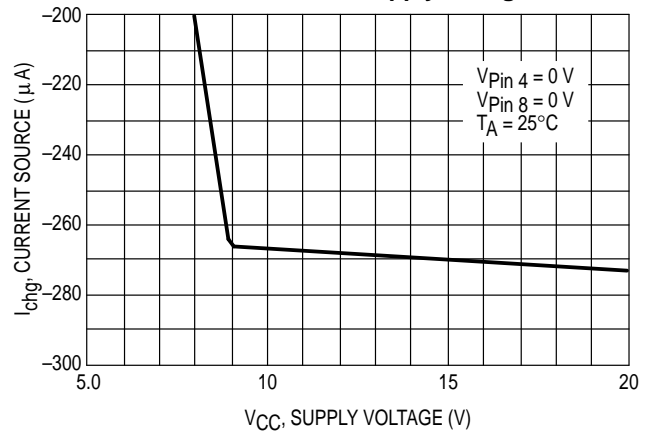


Figure 21. Fault Blanking/Desaturation Current Source versus Input Voltage

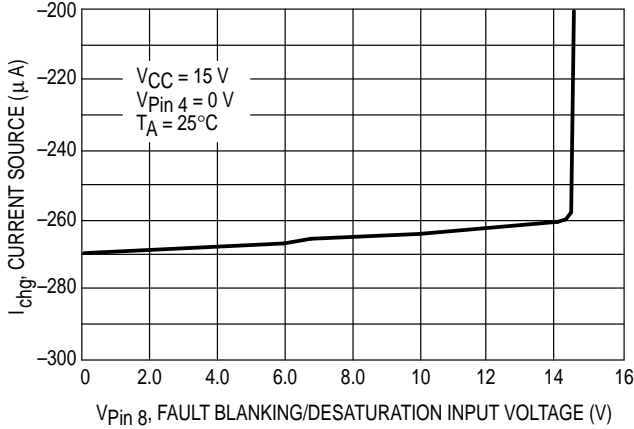


Figure 22. Fault Blanking/Desaturation Discharge Current versus Input Voltage

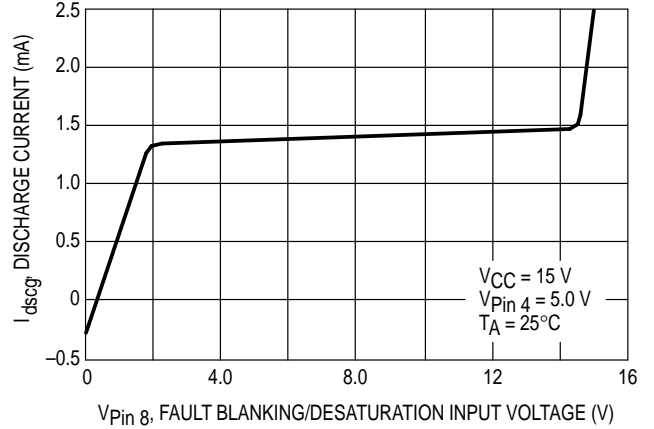


Figure 23. Fault Output Low State Voltage versus Sink Current

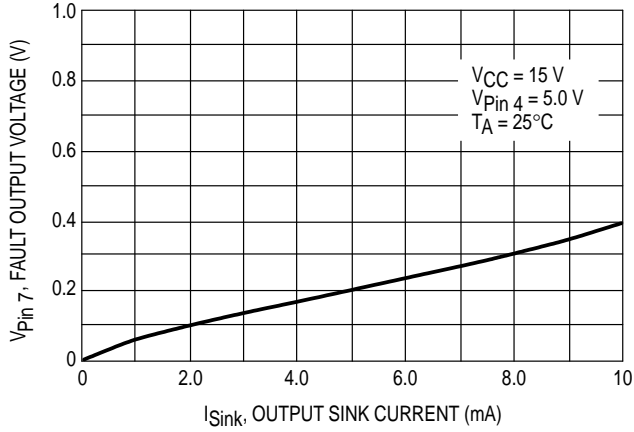


Figure 24. Fault Output High State Voltage versus Source Current

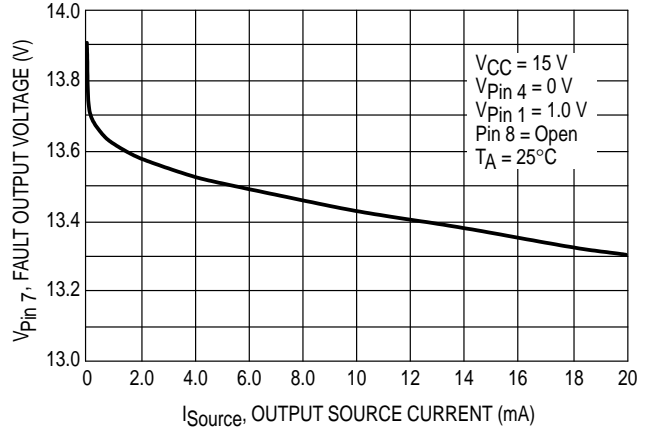


Figure 25. Drive Output Voltage versus Supply Voltage

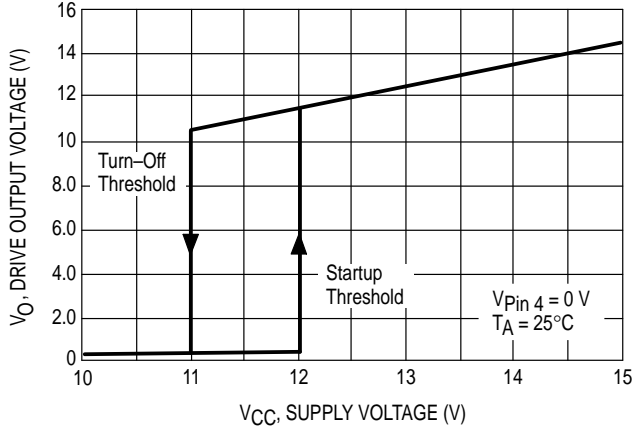


Figure 26. UVLO Thresholds versus Temperature

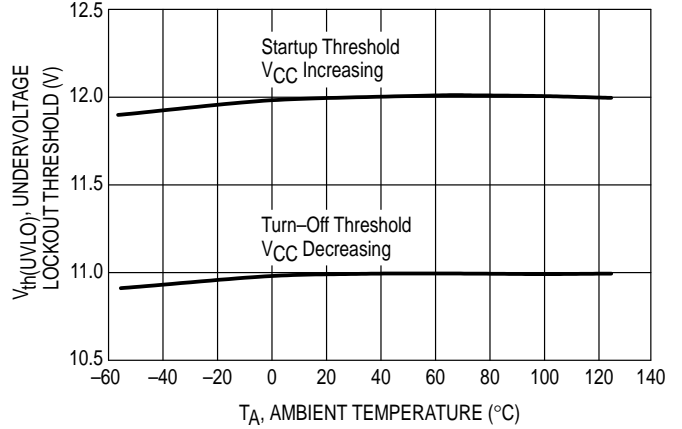


Figure 27. Supply Current versus Supply Voltage

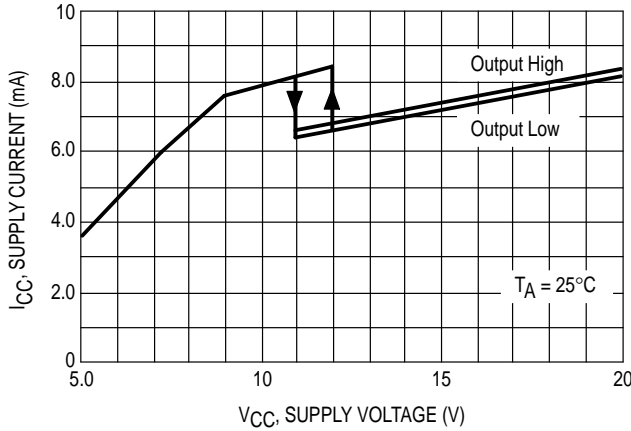


Figure 28. Supply Current versus Temperature

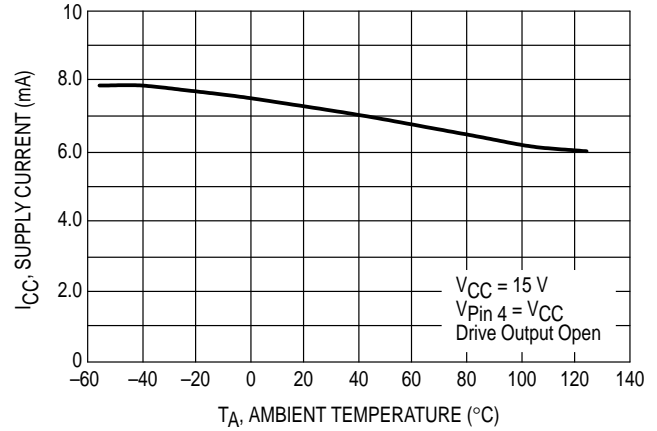
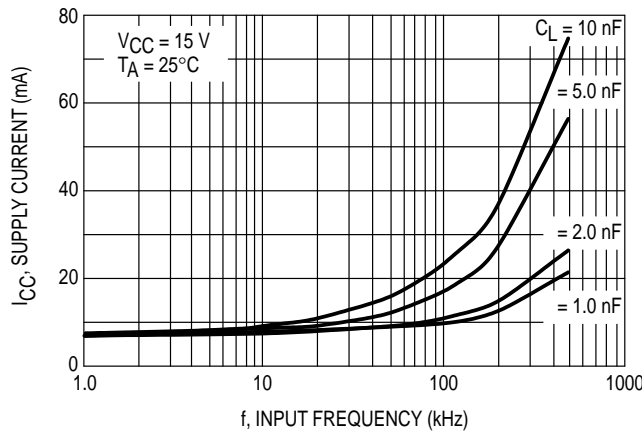


Figure 29. Supply Current versus Input Frequency



OPERATING DESCRIPTION

GATE DRIVE

Controlling Switching Times

The most important design aspect of an IGBT gate drive is optimization of the switching characteristics. The switching characteristics are especially important in motor control applications in which PWM transistors are used in a bridge configuration. In these applications, the gate drive circuit components should be selected to optimize turn-on, turn-off and off-state impedance. A single resistor may be used to control both turn-on and turn-off as shown in Figure 30. However, the resistor value selected must be a compromise in turn-on abruptness and turn-off losses. Using a single resistor is normally suitable only for very low frequency PWM. An optimized gate drive output stage is shown in Figure 31. This circuit allows turn-on and turn-off to be optimized separately. The turn-on resistor,  $R_{ON}$ , provides control over the IGBT turn-on speed. In motor control circuits, the resistor sets the turn-on  $di/dt$  that controls how fast the free-wheeling diode is cleared. The interaction of the IGBT and free-wheeling diode determines the turn-on  $dv/dt$ . Excessive turn-on  $dv/dt$  is a common problem in half-bridge

circuits. The turn-off resistor,  $R_{OFF}$ , controls the turn-off speed and ensures that the IGBT remains off under commutation stresses. Turn-off is critical to obtain low switching losses. While IGBTs exhibit a fixed minimum loss due to minority carrier recombination, a slow gate drive will dominate the turn-off losses. This is particularly true for fast IGBTs. It is also possible to turn-off an IGBT too fast. Excessive turn-off speed will result in large overshoot voltages. Normally, the turn-off resistor is a small fraction of the turn-on resistor.

The MC33153 contains a bipolar totem pole output stage that is capable of sourcing 1.0 amp and sinking 2.0 amps peak. This output also contains a pull down resistor to ensure that the IGBT is off whenever there is insufficient  $V_{CC}$  to the MC33153.

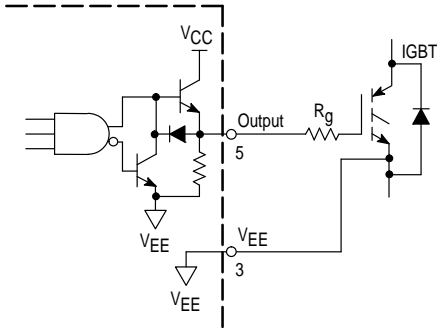
In a PWM inverter, IGBTs are used in a half-bridge configuration. Thus, at least one device is always off. While the IGBT is in the off-state, it will be subjected to changes in voltage caused by the other devices. This is particularly a problem when the opposite transistor turns on.



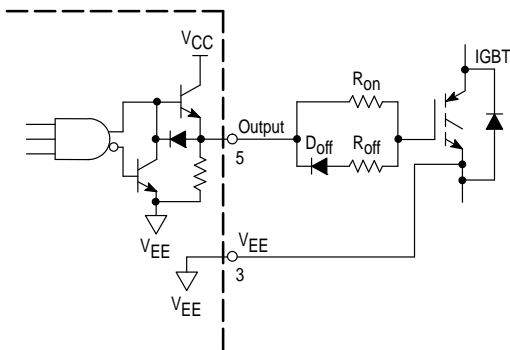
## MC33153

When the lower device is turned on, clearing the upper diode, the turn-on  $dv/dt$  of the lower device appears across the collector emitter of the upper device. To eliminate shoot-through currents, it is necessary to provide a low sink impedance to the device that is in the off-state. In most applications the turn-off resistor can be made small enough to hold off the device that is under commutation without causing excessively fast turn-off speeds.

**Figure 30. Using a Single Gate Resistor**



**Figure 31. Using Separate Resistors for Turn-On and Turn-Off**



A negative bias voltage can be used to drive the IGBT into the off-state. This is a practice carried over from bipolar Darlington drives and is generally not required for IGBTs. However, a negative bias will reduce the possibility of shoot-through. The MC33153 has separate pins for  $V_{EE}$  and Kelvin Ground. This permits operation using a +15/-5.0 V supply.

## INTERFACING WITH OPTOISOLATORS

### Isolated Input

The MC33153 may be used with an optically isolated input. The optoisolator can be used to provide level shifting,

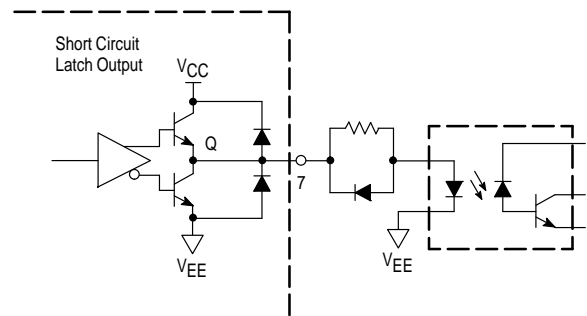
and if desired, isolation from ac line voltages. An optoisolator with a very high  $dv/dt$  capability should be used, such as the Hewlett Packard HCPL4053. The IGBT gate turn-on resistor should be set large enough to ensure that the opto's  $dv/dt$  capability is not exceeded. Like most optoisolators, the HCPL4053 has an active low open-collector output. Thus, when the LED is on, the output will be low. The MC33153 has an inverting input pin to interface directly with an optoisolator using a pull up resistor. The input may also be interfaced directly to 5.0 V CMOS logic or a microcontroller.

### Optoisolator Output Fault

The MC33153 has an active high fault output. The fault output may be easily interfaced to an optoisolator. While it is important that all faults are properly reported, it is equally important that no false signals are propagated. Again, a high  $dv/dt$  optoisolator should be used.

The LED drive provides a resistor programmable current of 10 to 20 mA when on, and provides a low impedance path when off. An active high output, resistor, and small signal diode provide an excellent LED driver. This circuit is shown in Figure 32.

**Figure 32. Output Fault Optoisolator**



## UNDERVOLTAGE LOCKOUT

It is desirable to protect an IGBT from insufficient gate voltage. IGBTs require 15 V on the gate to achieve the rated on-voltage. At gate voltages below 13 V, the on-voltage increases dramatically, especially at higher currents. At very low gate voltages, below 10 V, the IGBT may operate in the linear region and quickly overheat. Many PWM motor drives use a bootstrap supply for the upper gate drive. The UVLO provides protection for the IGBT in case the bootstrap capacitor discharges.

The MC33153 will typically start up at about 12 V. The UVLO circuit has about 1.0 V of hysteresis and will disable the output if the supply voltage falls below about 11 V.

## PROTECTION CIRCUITRY

### Desaturation Protection

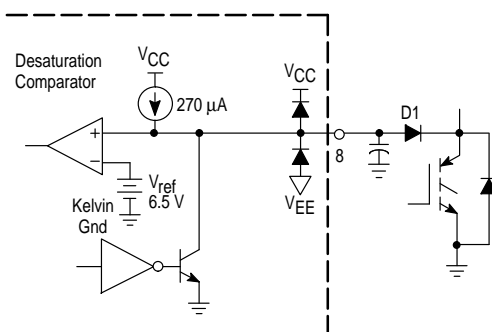
Bipolar Power circuits have commonly used what is known as “Desaturation Detection”. This involves monitoring the collector voltage and turning off the device if this voltage rises above a certain limit. A bipolar transistor will only conduct a certain amount of current for a given base drive. When the base is overdriven, the device is in saturation. When the collector current rises above the knee, the device pulls out of saturation. The maximum current the device will conduct in the linear region is a function of the base current and the dc current gain ( $h_{FE}$ ) of the transistor.

The output characteristics of an IGBT are similar to a Bipolar device. However, the output current is a function of gate voltage instead of current. The maximum current depends on the gate voltage and the device type. IGBTs tend to have a very high transconductance and a much higher current density under a short circuit than a bipolar device. Motor control IGBTs are designed for a lower current density under shorted conditions and a longer short circuit survival time.

The best method for detecting desaturation is the use of a high voltage clamp diode and a comparator. The MC33153 has a Fault Blanking/Desaturation Comparator which senses the collector voltage and provides an output indicating when the device is not fully saturated. Diode D1 is an external high voltage diode with a rated voltage comparable to the power device. When the IGBT is “on” and saturated, D1 will pull down the voltage on the Fault Blanking/Desaturation Input. When the IGBT pulls out of saturation or is “off”, the current source will pull up the input and trip the comparator. The comparator threshold is 6.5 V, allowing a maximum on-voltage of about 5.8 V.

A fault exists when the gate input is high and  $V_{CE}$  is greater than the maximum allowable  $V_{CE(sat)}$ . The output of the Desaturation Comparator is ANDed with the gate input signal and fed into the Short Circuit and Overcurrent Latches. The Overcurrent Latch will turn-off the IGBT for the remainder of the cycle when a fault is detected. When input goes high, both latches are reset. The reference voltage is tied to the Kelvin Ground instead of the  $V_{EE}$  to make the threshold independent of negative gate bias. Note that for proper operation of the Desaturation Comparator and the Fault Output, the Current Sense Input must be biased above the Overcurrent and Short Circuit Comparator thresholds. This can be accomplished by connecting Pin 1 to  $V_{CC}$ .

Figure 33. Desaturation Detection



The MC33153 also features a programmable fault blanking time. During turn-on, the IGBT must clear the opposing free-wheeling diode. The collector voltage will remain high until the diode is cleared. Once the diode has been cleared, the voltage will come down quickly to the  $V_{CE(sat)}$  of the device. Following turn-on, there is normally considerable ringing on the collector due to the  $C_{OSS}$  capacitance of the IGBTs and the parasitic wiring inductance. The fault signal from the Desaturation Comparator must be blanked sufficiently to allow the diode to be cleared and the ringing to settle out.

The blanking function uses an NPN transistor to clamp the comparator input when the gate input is low. When the input is switched high, the clamp transistor will turn “off”, allowing the internal current source to charge the blanking capacitor. The time required for the blanking capacitor to charge up from the on-voltage of the internal NPN transistor to the trip voltage of the comparator is the blanking time.

If a short circuit occurs after the IGBT is turned on and saturated, the delay time will be the time required for the current source to charge up the blanking capacitor from the  $V_{CE(sat)}$  level of the IGBT to the trip voltage of the comparator. Fault blanking can be disabled by leaving Pin 8 unconnected.

### Sense IGBT Protection

Another approach to protecting the IGBTs is to sense the emitter current using a current shunt or Sense IGBTs. This method has the advantage of being able to use high gain IGBTs which do not have any inherent short circuit capability. Current sense IGBTs work as well as current sense MOSFETs in most circumstances. However, the basic problem of working with very low sense voltages still exists. Sense IGBTs sense current through the channel and are therefore linear with respect to the collector current. Because IGBTs have a very low incremental on-resistance, sense IGBTs behave much like low-on resistance current sense MOSFETs. The output voltage of a properly terminated sense IGBT is very low, normally less than 100 mV.

The sense IGBT approach requires fault blanking to prevent false tripping during turn-on. The sense IGBT also requires that the sense signal is ignored while the gate is low. This is because the mirror output normally produces large transient voltages during both turn-on and turn-off due to the collector to mirror capacitance. With non-sensing types of IGBTs, a low resistance current shunt (5.0 to 50 m $\Omega$ ) can be used to sense the emitter current. When the output is an actual short circuit, the inductance will be very low. Since the blanking circuit provides a fixed minimum on-time, the peak current under a short circuit can be very high. A short circuit discern function is implemented by the second comparator which has a higher trip voltage. The short circuit signal is latched and appears at the Fault Output. When a short circuit is detected, the IGBT should be turned-off for several milliseconds allowing it to cool down before it is turned back on. The sense circuit is very similar to the desaturation circuit. It is possible to build a combination circuit that provides protection for both Short Circuit capable IGBTs and Sense IGBTs.

# MC33153

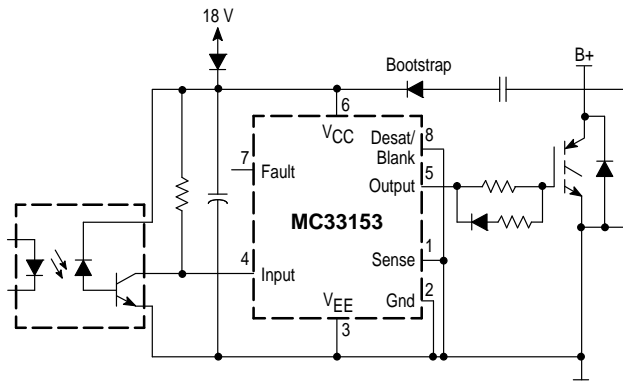
## APPLICATION INFORMATION

Figure 34 shows a basic IGBT driver application. When driven from an optoisolator, an input pull up resistor is required. This resistor value should be set to bias the output transistor at the desired current. A decoupling capacitor should be placed close to the IC to minimize switching noise.

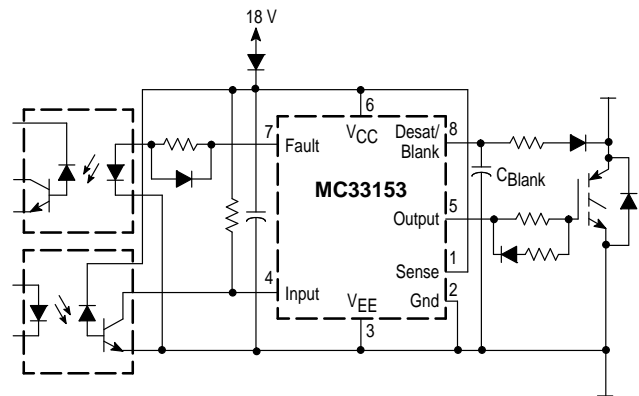
A bootstrap diode may be used for a floating supply. If the protection features are not required, then both the Fault Blanking/Desaturation and Current Sense Inputs should both be connected to the Kelvin Ground (Pin 2). When used with a single supply, the Kelvin Ground and V<sub>EE</sub> pins should be connected together. Separate gate resistors are recommended to optimize the turn-on and turn-off drive.

If desaturation protection is desired, a high voltage diode is connected to the Fault Blanking/Desaturation pin. The blanking capacitor should be connected from the Desaturation pin to the V<sub>EE</sub> pin. If a dual supply is used, the blanking capacitor should be connected to the Kelvin Ground. The Current Sense Input should be tied high because the two comparator outputs are ANDed together. Although the reverse voltage on collector of the IGBT is clamped to the emitter by the free-wheeling diode, there is normally considerable inductance within the package itself. A small resistor in series with the diode can be used to protect the IC from reverse voltage transients.

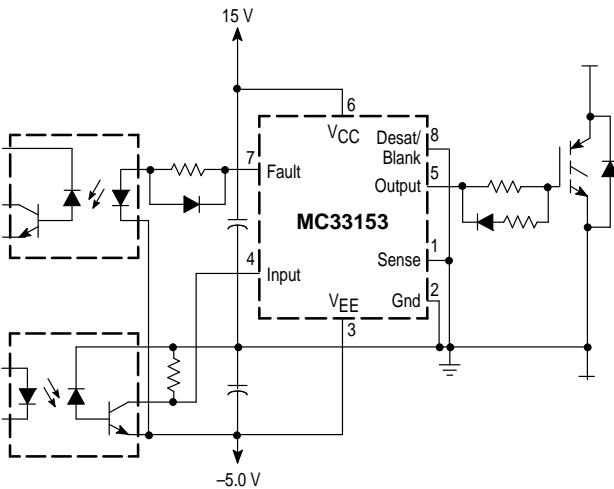
**Figure 34. Basic Application**



**Figure 36. Desaturation Application**



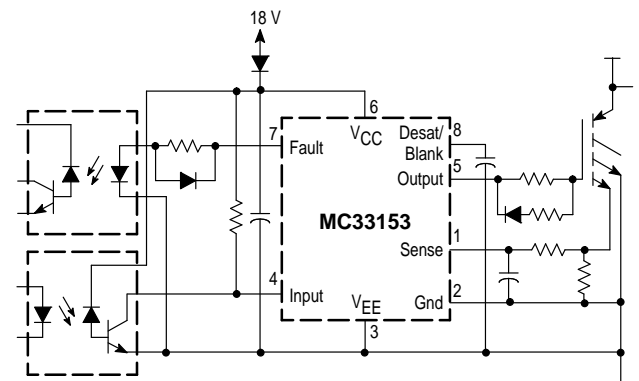
**Figure 35. Dual Supply Application**



When used in a dual supply application as in Figure 35, the Kelvin Ground should be connected to the emitter of the IGBT. If the protection features are not used, then both the Fault Blanking/Desaturation and the Current Sense Inputs should be connected to Ground. The input optoisolator should always be referenced to V<sub>EE</sub>.

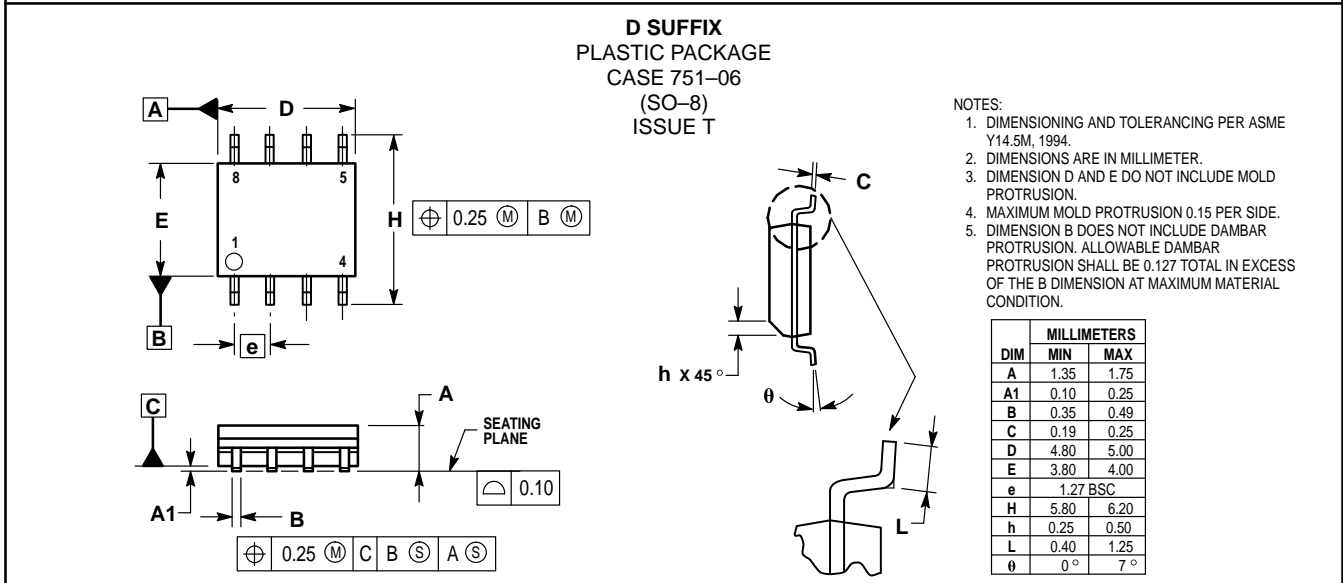
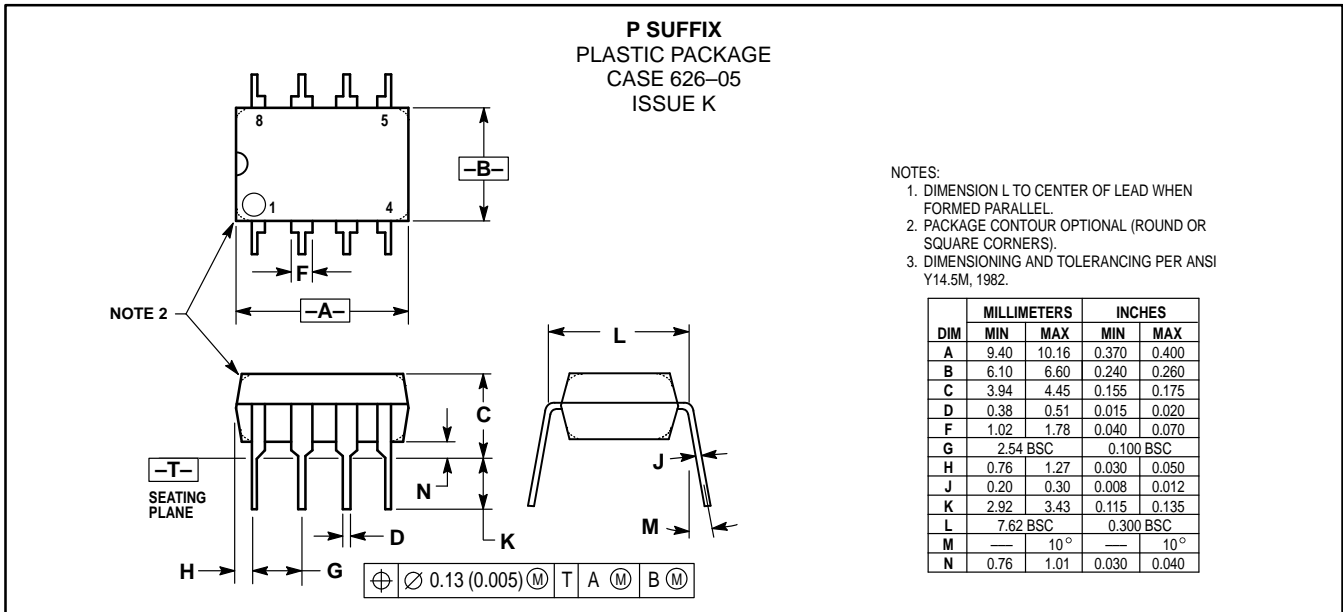
When using sense IGBTs or a sense resistor, the sense voltage is applied to the Current Sense Input. The sense trip voltages are referenced to the Kelvin Ground pin. The sense voltage is very small, typically about 65 mV, and sensitive to noise. Therefore, the sense and ground return conductors should be routed as a differential pair. An RC filter is useful in filtering any high frequency noise. A blanking capacitor is connected from the blanking pin to V<sub>EE</sub>. The stray capacitance on the blanking pin provides a very small level of blanking if left open. The blanking pin should not be grounded when using current sensing, that would disable the sense. The blanking pin should never be tied high, that would short out the clamp transistor.

**Figure 37. Sense IGBT Application**



# MC33153

## OUTLINE DIMENSIONS



Motorola reserves the right to make changes without further notice to any products herein. Motorola makes no warranty, representation or guarantee regarding the suitability of its products for any particular purpose, nor does Motorola assume any liability arising out of the application or use of any product or circuit, and specifically disclaims any and all liability, including without limitation consequential or incidental damages. "Typical" parameters which may be provided in Motorola data sheets and/or specifications can and do vary in different applications and actual performance may vary over time. All operating parameters, including "Typicals" must be validated for each customer application by customer's technical experts. Motorola does not convey any license under its patent rights nor the rights of others. Motorola products are not designed, intended, or authorized for use as components in systems intended for surgical implant into the body, or other applications intended to support or sustain life, or for any other application in which the failure of the Motorola product could create a situation where personal injury or death may occur. Should Buyer purchase or use Motorola products for any such unintended or unauthorized application, Buyer shall indemnify and hold Motorola and its officers, employees, subsidiaries, affiliates, and distributors harmless against all claims, costs, damages, and expenses, and reasonable attorney fees arising out of, directly or indirectly, any claim of personal injury or death associated with such unintended or unauthorized use, even if such claim alleges that Motorola was negligent regarding the design or manufacture of the part. Motorola and are registered trademarks of Motorola, Inc. Motorola, Inc. is an Equal Opportunity/Affirmative Action Employer.

Mfax is a trademark of Motorola, Inc.

**How to reach us:**

**USA/EUROPE/Locations Not Listed:** Motorola Literature Distribution;  
P.O. Box 5405, Denver, Colorado 80217. 1-303-675-2140 or 1-800-441-2447

**JAPAN:** Nippon Motorola Ltd.: SPD, Strategic Planning Office, 141,  
4-32-1 Nishi-Gotanda, Shagawa-ku, Tokyo, Japan. 03-5487-8488

**Customer Focus Center: 1-800-521-6274**

**Mfax™:** RMFAX0@email.sps.mot.com – TOUCHTONE 1-602-244-6609  
Motorola Fax Back System – US & Canada ONLY 1-800-774-1848  
– http://sps.motorola.com/mfax/

**ASIA/PACIFIC:** Motorola Semiconductors H.K. Ltd.; 8B Tai Ping Industrial Park,  
51 Ting Kok Road, Tai Po, N.T., Hong Kong. 852-26629298

**HOME PAGE:** <http://motorola.com/sps/>

