

# IRON POWDER CORES

## GENERAL MATERIAL PROPERTIES

| Material Mix No. | Reference Permeability ( $\mu_0$ ) | Relative Cost | Color Code     |
|------------------|------------------------------------|---------------|----------------|
| - 2              | 10                                 | 5.0           | Red / Clear    |
| - 8              | 35                                 | 5.5           | Yellow / Red   |
| - 18             | 55                                 | 2.7           | Green / Red    |
| - 26             | 75                                 | 1.0           | Yellow / White |
| - 28             | 22                                 | 2.4           | Gray / Green   |
| - 33             | 33                                 | 2.2           | Gray / Yellow  |
| - 38             | 85                                 | 1.3           | Gray / Black   |
| - 40             | 60                                 | 1.0           | Green / Yellow |
| - 45             | 100                                | 3.0           | Black / Black  |
| - 52             | 75                                 | 1.3           | Green / Blue   |

## PERMEABILITY WITH DC BIAS

| Material Mix No. | $H_{DC} = 50$ Oersteds |                 |
|------------------|------------------------|-----------------|
|                  | % $\mu_0$              | $\mu$ effective |
| - 2              | 100                    | 10              |
| - 8              | 91                     | 32              |
| - 18             | 74                     | 41              |
| - 26             | 51                     | 38              |
| - 28             | 91                     | 20              |
| - 33             | 84                     | 28              |
| - 38             | 51                     | 43              |
| - 40             | 62                     | 37              |
| - 45             | 46                     | 46              |
| - 52             | 59                     | 44              |

## THERMAL COEFFICIENTS

| Material Mix No. | Temp. Coef. of Permeability (+ppm/C <sup>o</sup> ) | Coef. Of Lin. Expansion (-ppm/C <sup>o</sup> ) | Thermal Conductivity (mW/cm-C <sup>o</sup> ) |
|------------------|--|--|--|
| - 2              | 95   | 10   | 10   |
| - 8              | 255  | 10   | 29   |
| - 18             | 385  | 11   | 21   |
| - 26             | 825  | 12   | 42   |
| - 28             | 415  | 11   | 16   |
| - 33             | 635  | 11   | 20   |
| - 38             | 955  | 12   | 46   |
| - 40             | 950  | 11   | 36   |
| - 45             | 1040   | 12   | 43   |
| - 52             | 650  | 12   | 34   |

# IRON POWDER CORES

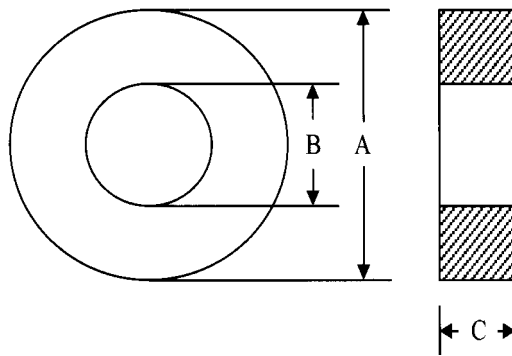
## MAGNETIC TOLERANCE

| Material Mix No. | AL Tolerance |
|------------------|--------------|
| - 2              | +/-5%        |
| - 8              | +/-10%       |
| - 18             | +/-10%       |
| - 26             | +/-10%       |
| - 28             | +/-10%       |
| - 33             | +/-10%       |
| - 38             | +/-10%       |
| - 40             | +/-10%       |
| - 45             | +/-10%       |
| - 52             | +/-10%       |

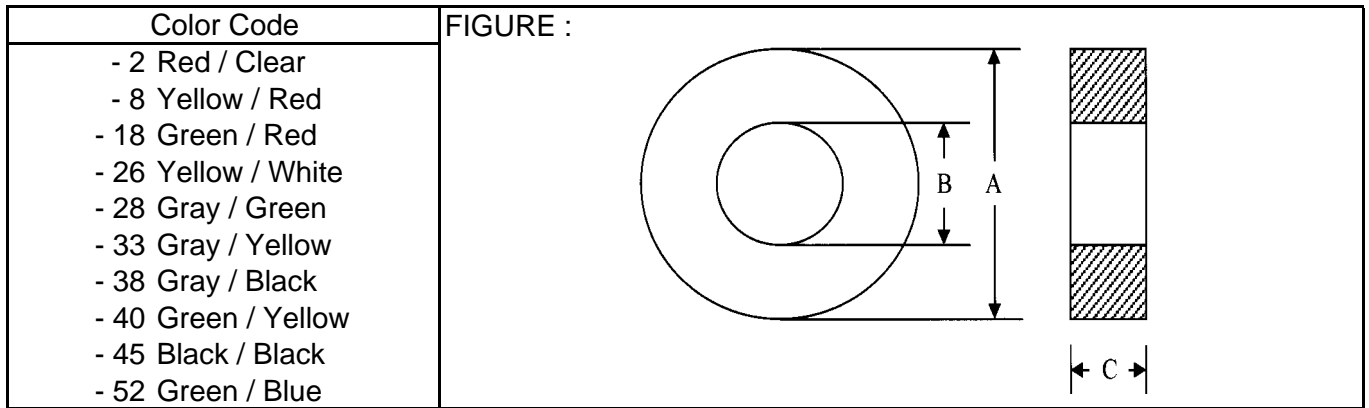
## DIMENSIONAL TOLERANCE

| Material Mix No. | A (mm)  | B (mm)  | C (mm)  |
|------------------|---------|---------|---------|
| T16 - T20        | +/-0.30 | +/-0.30 | +/-0.30 |
| T25 - T38        | +/-0.45 | +/-0.45 | +/-0.45 |
| T44 - T68        | +/-0.50 | +/-0.50 | +/-0.50 |
| T80 - T131       | +/-0.50 | +/-0.50 | +/-0.65 |
| T150 - T184      | +/-0.60 | +/-0.60 | +/-0.80 |
| T200 - T250      | +/-0.80 | +/-0.80 | +/-0.80 |

FIGURE :



# TOROIDAL CORES

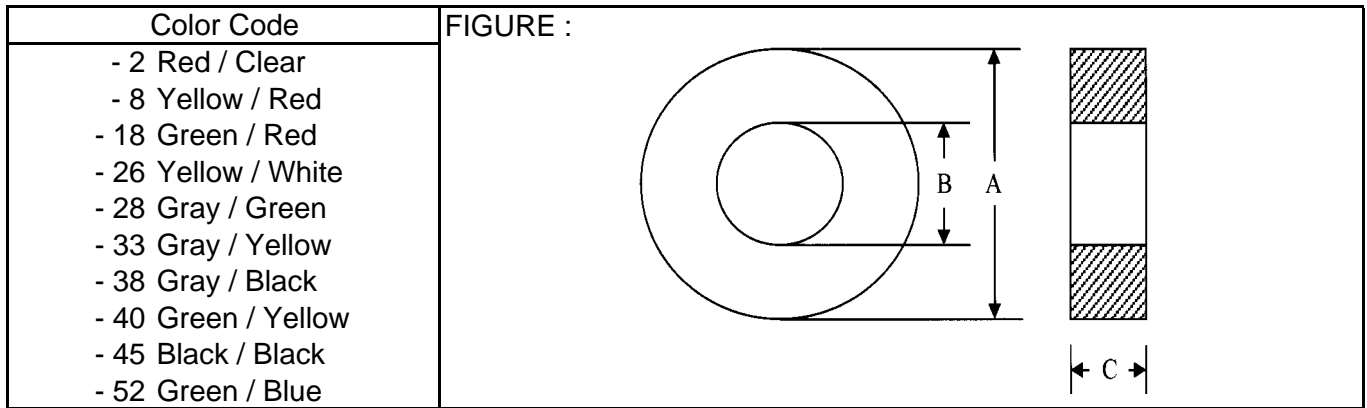


| Part No. | AL                   | Dimensions (mm) |      |      | Effective Parameters |                     |                     |
|----------|----------------------|-----------------|------|------|----------------------|---------------------|---------------------|
|          | (nH/N <sup>2</sup> ) | A               | B    | C    | L(cm)                | A(cm <sup>2</sup> ) | V(cm <sup>3</sup> ) |
| T16-2    | 2.2                  | 4.06            | 1.98 | 1.52 | 0.93                 | 0.015               | 0.014               |
| T16-8/90 | 6.0                  |                 |      |      |                      |                     |                     |
| T16-18   | 9.5                  |                 |      |      |                      |                     |                     |
| T16-26   | 14.5                 |                 |      |      |                      |                     |                     |
| T16-40   | 12.5                 |                 |      |      |                      |                     |                     |
| T16-45   | 17.0                 |                 |      |      |                      |                     |                     |
| T16-52   | 13.5                 |                 |      |      |                      |                     |                     |
| T20-2    | 2.5                  | 5.08            | 2.24 | 1.78 | 1.15                 | 0.023               | 0.026               |
| T20-8/90 | 7.8                  |                 |      |      |                      |                     |                     |
| T20-18   | 13.0                 |                 |      |      |                      |                     |                     |
| T20-26   | 18.5                 |                 |      |      |                      |                     |                     |
| T20-40   | 16.0                 |                 |      |      |                      |                     |                     |
| T20-45   | 22.5                 |                 |      |      |                      |                     |                     |
| T20-52   | 17.5                 |                 |      |      |                      |                     |                     |
| T25-2    | 3.4                  | 6.48            | 3.05 | 2.44 | 1.50                 | 0.037               | 0.055               |
| T25-8/90 | 10.0                 |                 |      |      |                      |                     |                     |
| T25-18   | 17.0                 |                 |      |      |                      |                     |                     |
| T25-26   | 24.5                 |                 |      |      |                      |                     |                     |
| T25-40   | 20.5                 |                 |      |      |                      |                     |                     |
| T25-45   | 31.0                 |                 |      |      |                      |                     |                     |
| T25-52   | 23.0                 |                 |      |      |                      |                     |                     |
| T26-8/90 | 24.0                 | 6.73            | 2.67 | 4.83 | 1.47                 | 0.090               | 0.133               |
| T26-18   | 41.5                 |                 |      |      |                      |                     |                     |
| T26-26   | 57.0                 |                 |      |      |                      |                     |                     |
| T26-40   | 49.5                 |                 |      |      |                      |                     |                     |
| T26-45   | 77.0                 |                 |      |      |                      |                     |                     |
| T26-52   | 56.0                 |                 |      |      |                      |                     |                     |
| T30-2    | 4.3                  | 7.80            | 3.84 | 3.25 | 1.84                 | 0.060               | 0.110               |
| T30-8/90 | 14.0                 |                 |      |      |                      |                     |                     |
| T30-18   | 22.0                 |                 |      |      |                      |                     |                     |
| T30-26   | 33.5                 |                 |      |      |                      |                     |                     |
| T30-40   | 28.0                 |                 |      |      |                      |                     |                     |
| T30-45   | 40.5                 |                 |      |      |                      |                     |                     |
| T30-52   | 30.5                 |                 |      |      |                      |                     |                     |
| T37-2    | 4.0                  | 9.53            | 5.21 | 3.25 | 2.31                 | 0.064               | 0.147               |
| T37-8/90 | 12.0                 |                 |      |      |                      |                     |                     |
| T37-18   | 19.0                 |                 |      |      |                      |                     |                     |
| T37-26   | 28.5                 |                 |      |      |                      |                     |                     |
| T37-40   | 24.5                 |                 |      |      |                      |                     |                     |
| T37-45   | 34.0                 |                 |      |      |                      |                     |                     |
| T37-52   | 26.0                 |                 |      |      |                      |                     |                     |

## TOROIDAL CORES

| Color Code   |                      | FIGURE :        |      |      |                      |                     |                     |
|--|----------------------|-----------------|------|------|----------------------|---------------------|---------------------|
| - 2 Red / Clear<br>- 8 Yellow / Red<br>- 18 Green / Red<br>- 26 Yellow / White<br>- 28 Gray / Green<br>- 33 Gray / Yellow<br>- 38 Gray / Black<br>- 40 Green / Yellow<br>- 45 Black / Black<br>- 52 Green / Blue |                      |                 |      |      |                      |                     |                     |
| Part No.   | AL                   | Dimensions (mm) |      |      | Effective Parameters |                     |                     |
|  | (nH/N <sup>2</sup> ) | A               | B    | C    | L(cm)                | A(cm <sup>2</sup> ) | V(cm <sup>3</sup> ) |
| T38-2  | 7.4                  | 9.53            | 4.45 | 4.83 | 2.18                 | 0.114               | 0.248               |
| T38-8/90   | 20.0                 |                 |      |      |                      |                     |                     |
| T38-18   | 36.0                 |                 |      |      |                      |                     |                     |
| T38-26   | 49.0                 |                 |      |      |                      |                     |                     |
| T38-40   | 41.5                 |                 |      |      |                      |                     |                     |
| T38-45   | 65.0                 |                 |      |      |                      |                     |                     |
| T38-52   | 49.0                 |                 |      |      |                      |                     |                     |
| T44-2  | 5.2                  | 11.20           | 5.82 | 4.04 | 2.68                 | 0.099               | 0.266               |
| T44-8/90   | 18.0                 |                 |      |      |                      |                     |                     |
| T44-18   | 25.5                 |                 |      |      |                      |                     |                     |
| T44-26   | 37.0                 |                 |      |      |                      |                     |                     |
| T44-40   | 31.0                 |                 |      |      |                      |                     |                     |
| T44-45   | 46.5                 |                 |      |      |                      |                     |                     |
| T44-52   | 35.0                 |                 |      |      |                      |                     |                     |
| T44-52D  | 58.0                 | 11.20           | 5.82 | 6.35 | 2.68                 | 0.212               | 0.567               |
| T50-2  | 4.9                  | 12.70           | 7.70 | 4.83 | 3.19                 | 0.112               | 0.358               |
| T50-8/90   | 17.5                 |                 |      |      |                      |                     |                     |
| T50-18   | 24.0                 |                 |      |      |                      |                     |                     |
| T50-26   | 33.0                 |                 |      |      |                      |                     |                     |
| T50-38   | 37.5                 |                 |      |      |                      |                     |                     |
| T50-40   | 29.5                 |                 |      |      |                      |                     |                     |
| T50-45   | 44.0                 |                 |      |      |                      |                     |                     |
| T50-52   | 33.0                 |                 |      |      |                      |                     |                     |
| T50-8B/90  | 23.0                 | 12.70           | 7.70 | 6.35 | 3.19                 | 0.148               | 0.471               |
| T50-18B  | 32.0                 |                 |      |      |                      |                     |                     |
| T50-26B  | 43.5                 |                 |      |      |                      |                     |                     |
| T50-38B  | 49.5                 |                 |      |      |                      |                     |                     |
| T50-40B  | 38.5                 |                 |      |      |                      |                     |                     |
| T50-45B  | 58.0                 |                 |      |      |                      |                     |                     |
| T50-52B  | 43.5                 |                 |      |      |                      |                     |                     |
| T50-8C/90  | 28.3                 | 12.70           | 7.70 | 8.51 | 3.19                 | 0.223               | 0.711               |
| T50-26C  | 61.0                 |                 |      |      |                      |                     |                     |
| T50-26D  | 72.0                 | 12.70           | 7.70 | 9.53 | 3.19                 | 0.223               | 0.711               |
| T50-40D  | 59.0                 |                 |      |      |                      |                     |                     |
| T50-52D  | 66.0                 |                 |      |      |                      |                     |                     |
| T51-8C/90  | 37.0                 | 12.70           | 5.08 | 6.35 | 2.79                 | 0.223               | 0.622               |
| T51-18C  | 55.0                 |                 |      |      |                      |                     |                     |
| T51-26C  | 83.0                 |                 |      |      |                      |                     |                     |
| T51-40C  | 67.0                 |                 |      |      |                      |                     |                     |
| T51-52C  | 75.0                 |                 |      |      |                      |                     |                     |

# TOROIDAL CORES

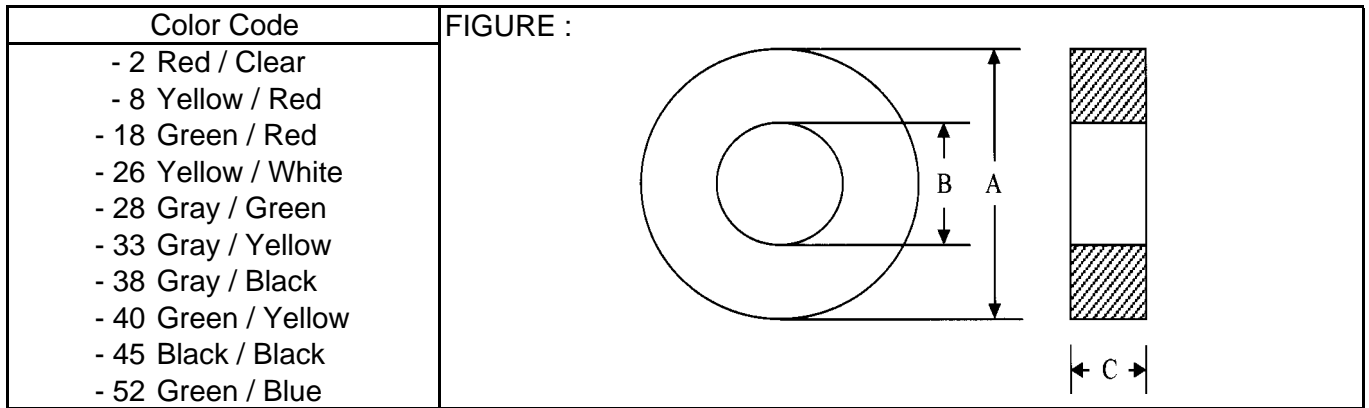


| Part No.  | AL                   | Dimensions (mm) |       |       | Effective Parameters |                     |                     |
|-----------|----------------------|-----------------|-------|-------|----------------------|---------------------|---------------------|
|           | (nH/N <sup>2</sup> ) | A               | B     | C     | L(cm)                | A(cm <sup>2</sup> ) | V(cm <sup>3</sup> ) |
| T60-2     | 6.5                  | 15.20           | 8.53  | 5.94  | 3.74                 | 0.187               | 0.699               |
| T60-8/90  | 19.0                 |                 |       |       |                      |                     |                     |
| T60-18    | 34.5                 |                 |       |       |                      |                     |                     |
| T60-26    | 50.0                 |                 |       |       |                      |                     |                     |
| T60-40    | 41.5                 |                 |       |       |                      |                     |                     |
| T60-52    | 47.0                 |                 |       |       |                      |                     |                     |
| T60-26D   | 97.0                 | 15.20           | 8.53  | 11.90 | 3.74                 | 0.374               | 1.400               |
| T60-52D   | 94.0                 |                 |       |       |                      |                     |                     |
| T68-2     | 5.7                  | 17.50           | 9.40  | 4.83  | 4.23                 | 0.179               | 0.759               |
| T68-8/90  | 19.5                 |                 |       |       |                      |                     |                     |
| T68-18    | 29.0                 |                 |       |       |                      |                     |                     |
| T68-26    | 43.5                 |                 |       |       |                      |                     |                     |
| T68-38    | 45.0                 |                 |       |       |                      |                     |                     |
| T68-40    | 35.0                 |                 |       |       |                      |                     |                     |
| T68-45    | 53.0                 |                 |       |       |                      |                     |                     |
| T68-52    | 40.0                 |                 |       |       |                      |                     |                     |
| T68-2A    | 7.0                  | 17.50           | 9.40  | 6.35  | 4.23                 | 0.242               | 1.030               |
| T68-8A/90 | 26.0                 |                 |       |       |                      |                     |                     |
| T68-18A   | 39.5                 |                 |       |       |                      |                     |                     |
| T68-26A   | 58.0                 |                 |       |       |                      |                     |                     |
| T68-38A   | 61.0                 |                 |       |       |                      |                     |                     |
| T68-40A   | 47.0                 |                 |       |       |                      |                     |                     |
| T68-45A   | 71.0                 |                 |       |       |                      |                     |                     |
| T68-52A   | 54.0                 |                 |       |       |                      |                     |                     |
| T68-2D    | 11.4                 | 17.50           | 9.40  | 9.53  | 4.23                 | 0.358               | 1.520               |
| T68-26D   | 87.0                 |                 |       |       |                      |                     |                     |
| T68-40D   | 70.0                 |                 |       |       |                      |                     |                     |
| T68-52D   | 80.0                 |                 |       |       |                      |                     |                     |
| T80-2     | 5.5                  | 20.20           | 12.60 | 6.35  | 5.14                 | 0.231               | 1.190               |
| T80-8/90  | 18.0                 |                 |       |       |                      |                     |                     |
| T80-18    | 31.0                 |                 |       |       |                      |                     |                     |
| T80-26    | 46.0                 |                 |       |       |                      |                     |                     |
| T80-38    | 48.0                 |                 |       |       |                      |                     |                     |
| T80-40    | 39.5                 |                 |       |       |                      |                     |                     |
| T80-45    | 56.0                 |                 |       |       |                      |                     |                     |
| T80-52    | 42.0                 |                 |       |       |                      |                     |                     |
| T80-8B/90 | 29.5                 | 20.20           | 12.60 | 9.53  | 5.14                 | 0.347               | 1.780               |
| T80-18B   | 46.5                 |                 |       |       |                      |                     |                     |
| T80-26B   | 71.0                 |                 |       |       |                      |                     |                     |
| T80-38B   | 72.0                 |                 |       |       |                      |                     |                     |
| T80-40B   | 59.0                 |                 |       |       |                      |                     |                     |

# TOROIDAL CORES

| Color Code   |                      | FIGURE :        |       |       |                      |                     |                     |
|--|----------------------|-----------------|-------|-------|----------------------|---------------------|---------------------|
| - 2 Red / Clear<br>- 8 Yellow / Red<br>- 18 Green / Red<br>- 26 Yellow / White<br>- 28 Gray / Green<br>- 33 Gray / Yellow<br>- 38 Gray / Black<br>- 40 Green / Yellow<br>- 45 Black / Black<br>- 52 Green / Blue |                      |                 |       |       |                      |                     |                     |
| Part No.   | AL                   | Dimensions (mm) |       |       | Effective Parameters |                     |                     |
|  | (nH/N <sup>2</sup> ) | A               | B     | C     | L(cm)                | A(cm <sup>2</sup> ) | V(cm <sup>3</sup> ) |
| T80-45B  | 84.0                 | 20.20           | 12.60 | 9.53  | 5.14                 | 0.347               | 1.78                |
| T80-52B  | 63.0                 |                 |       |       |                      |                     |                     |
| T80-26D  | 92.0                 | 20.20           | 12.60 | 12.70 | 5.14                 | 0.435               | 2.33                |
| T80-40D  | 79.0                 |                 |       |       |                      |                     |                     |
| T80-52D  | 83.0                 |                 |       |       |                      |                     |                     |
| T90-8/90   | 30.0                 | 22.90           | 14.00 | 9.53  | 5.78                 | 0.395               | 2.28                |
| T90-18   | 47.0                 |                 |       |       |                      |                     |                     |
| T90-26   | 70.0                 |                 |       |       |                      |                     |                     |
| T90-38   | 73.0                 |                 |       |       |                      |                     |                     |
| T90-40   | 57.0                 |                 |       |       |                      |                     |                     |
| T90-45   | 85.0                 |                 |       |       |                      |                     |                     |
| T90-52   | 64.0                 |                 |       |       |                      |                     |                     |
| T94-2  | 8.4                  | 23.90           | 14.20 | 7.92  | 5.97                 | 0.362               | 2.16                |
| T94-8/90   | 25.0                 |                 |       |       |                      |                     |                     |
| T94-18   | 42.0                 |                 |       |       |                      |                     |                     |
| T94-26   | 60.0                 |                 |       |       |                      |                     |                     |
| T94-38   | 65.0                 |                 |       |       |                      |                     |                     |
| T94-40   | 49.0                 |                 |       |       |                      |                     |                     |
| T94-45   | 76.0                 |                 |       |       |                      |                     |                     |
| T94-52   | 57.0                 |                 |       |       |                      |                     |                     |
| T106-2   | 13.5                 | 26.90           | 14.50 | 11.10 | 6.49                 | 0.659               | 4.28                |
| T106-8/90  | 45.0                 |                 |       |       |                      |                     |                     |
| T106-18  | 70.0                 |                 |       |       |                      |                     |                     |
| T106-26  | 93.0                 |                 |       |       |                      |                     |                     |
| T106-28  | 30.0                 |                 |       |       |                      |                     |                     |
| T106-33  | 40.0                 |                 |       |       |                      |                     |                     |
| T106-38  | 108.0                |                 |       |       |                      |                     |                     |
| T106-40  | 81.0                 |                 |       |       |                      |                     |                     |
| T106-45  | 125.0                |                 |       |       |                      |                     |                     |
| T106-52  | 95.0                 |                 |       |       |                      |                     |                     |
| T106-18A   | 49.0                 | 26.90           | 14.50 | 7.92  | 6.49                 | 0.461               | 3.00                |
| T106-26A   | 67.0                 |                 |       |       |                      |                     |                     |
| T106-40A   | 58.0                 |                 |       |       |                      |                     |                     |
| T106-52A   | 67.0                 |                 |       |       |                      |                     |                     |
| T106-18B   | 91.0                 | 26.90           | 14.50 | 14.60 | 6.49                 | 0.858               | 5.57                |
| T106-26B   | 124.0                |                 |       |       |                      |                     |                     |
| T106-40B   | 106.0                |                 |       |       |                      |                     |                     |
| T106-52B   | 124.0                |                 |       |       |                      |                     |                     |
| T130-2   | 11.0                 | 33.00           | 19.80 | 11.10 | 8.28                 | 0.698               | 5.78                |
| T130-8/90  | 35.0                 |                 |       |       |                      |                     |                     |
| T130-18  | 58.0                 |                 |       |       |                      |                     |                     |

# TOROIDAL CORES



| Part No.  | AL                   | Dimensions (mm) |       |       | Effective Parameters |                     |                     |
|-----------|----------------------|-----------------|-------|-------|----------------------|---------------------|---------------------|
|           | (nH/N <sup>2</sup> ) | A               | B     | C     | L(cm)                | A(cm <sup>2</sup> ) | V(cm <sup>3</sup> ) |
| T130-26   | 81.0                 | 33.00           | 19.80 | 11.10 | 8.28                 | 0.698               | 5.78                |
| T130-28   | 25.0                 |                 |       |       |                      |                     |                     |
| T130-33   | 33.5                 |                 |       |       |                      |                     |                     |
| T130-38   | 90.0                 |                 |       |       |                      |                     |                     |
| T130-40   | 69.0                 |                 |       |       |                      |                     |                     |
| T130-45   | 105.0                |                 |       |       |                      |                     |                     |
| T130-52   | 79.0                 |                 |       |       |                      |                     |                     |
| T130-26A  | 41.0                 | 33.00           | 19.80 | 5.72  | 8.28                 | 0.361               | 2.99                |
| T130-40A  | 34.0                 |                 |       |       |                      |                     |                     |
| T131-8/90 | 52.5                 | 33.00           | 16.30 | 11.10 | 7.72                 | 0.885               | 6.84                |
| T131-18   | 79.0                 |                 |       |       |                      |                     |                     |
| T131-26   | 116.0                |                 |       |       |                      |                     |                     |
| T131-33   | 46.5                 |                 |       |       |                      |                     |                     |
| T131-40   | 93.0                 |                 |       |       |                      |                     |                     |
| T131-52   | 108.0                |                 |       |       |                      |                     |                     |
| T150-26   | 96.0                 | 38.40           | 21.50 | 11.10 | 9.38                 | 0.887               | 8.31                |
| T150-40   | 78.0                 |                 |       |       |                      |                     |                     |
| T150-52   | 89.0                 |                 |       |       |                      |                     |                     |
| T150-26A  | 66.0                 | 38.40           | 21.50 | 8.26  | 9.38                 | 0.657               | 6.16                |
| T150-38A  | 74.5                 |                 |       |       |                      |                     |                     |
| T150-45A  | 84.0                 |                 |       |       |                      |                     |                     |
| T157-2    | 14.0                 | 39.90           | 24.10 | 14.50 | 10.10                | 1.060               | 10.70               |
| T157-8/90 | 42.0                 |                 |       |       |                      |                     |                     |
| T157-18   | 73.0                 |                 |       |       |                      |                     |                     |
| T157-26   | 100.0                |                 |       |       |                      |                     |                     |
| T157-28   | 31.5                 |                 |       |       |                      |                     |                     |
| T157-33   | 43.5                 |                 |       |       |                      |                     |                     |
| T157-38   | 112.0                |                 |       |       |                      |                     |                     |
| T157-40   | 86.0                 |                 |       |       |                      |                     |                     |
| T157-45   | 130.0                |                 |       |       |                      |                     |                     |
| T157-52   | 99.0                 |                 |       |       |                      |                     |                     |
| T175-2    | 15.0                 | 44.50           | 27.20 | 16.50 | 11.20                | 1.340               | 15.00               |
| T175-18   | 82.0                 |                 |       |       |                      |                     |                     |
| T175-26   | 105.0                |                 |       |       |                      |                     |                     |
| T175-40   | 90.0                 |                 |       |       |                      |                     |                     |
| T175-52   | 105.0                |                 |       |       |                      |                     |                     |
| T184-2    | 24.0                 | 46.70           | 24.10 | 18.00 | 11.20                | 1.880               | 21.00               |
| T184-8/90 | 72.0                 |                 |       |       |                      |                     |                     |
| T184-18   | 116.0                |                 |       |       |                      |                     |                     |
| T184-26   | 169.0                |                 |       |       |                      |                     |                     |
| T184-28   | 51.0                 |                 |       |       |                      |                     |                     |

# TOROIDAL CORES

| Color Code   |                      | FIGURE :        |       |       |                      |                     |                     |
|--|----------------------|-----------------|-------|-------|----------------------|---------------------|---------------------|
| - 2 Red / Clear<br>- 8 Yellow / Red<br>- 18 Green / Red<br>- 26 Yellow / White<br>- 28 Gray / Green<br>- 33 Gray / Yellow<br>- 38 Gray / Black<br>- 40 Green / Yellow<br>- 45 Black / Black<br>- 52 Green / Blue |                      |                 |       |       |                      |                     |                     |
| Part No.   | AL                   | Dimensions (mm) |       |       | Effective Parameters |                     |                     |
|  | (nH/N <sup>2</sup> ) | A               | B     | C     | L(cm)                | A(cm <sup>2</sup> ) | V(cm <sup>3</sup> ) |
| T184-33  | 70.0                 | 46.70           | 24.10 | 18.00 | 11.20                | 1.880               | 21.00               |
| T184-40  | 143.0                |                 |       |       |                      |                     |                     |
| T184-52  | 159.0                |                 |       |       |                      |                     |                     |
| T200-2   | 12.0                 | 50.80           | 31.80 | 14.00 | 13.00                | 1.270               | 16.40               |
| T200-8/90  | 42.5                 |                 |       |       |                      |                     |                     |
| T200-18  | 67.0                 |                 |       |       |                      |                     |                     |
| T200-26  | 92.0                 |                 |       |       |                      |                     |                     |
| T200-28  | 28.0                 |                 |       |       |                      |                     |                     |
| T200-33  | 37.0                 |                 |       |       |                      |                     |                     |
| T200-40  | 79.0                 |                 |       |       |                      |                     |                     |
| T200-52  | 92.0                 |                 |       |       |                      |                     |                     |
| T200-2B  | 21.8                 | 50.80           | 31.80 | 25.40 | 13.00                | 2.320               | 30.00               |
| T200-8B/90   | 78.5                 |                 |       |       |                      |                     |                     |
| T200-18B   | 120.0                |                 |       |       |                      |                     |                     |
| T200-26B   | 160.0                |                 |       |       |                      |                     |                     |
| T200-40B   | 142.0                |                 |       |       |                      |                     |                     |
| T200-52B   | 155.0                |                 |       |       |                      |                     |                     |
| T225-2   | 12.0                 | 57.20           | 35.70 | 14.00 | 14.60                | 1.420               | 20.70               |
| T225-8/90  | 42.5                 |                 |       |       |                      |                     |                     |
| T225-18  | 67.0                 |                 |       |       |                      |                     |                     |
| T225-26  | 98.0                 |                 |       |       |                      |                     |                     |
| T225-28  | 28.0                 |                 |       |       |                      |                     |                     |
| T225-33  | 37.0                 |                 |       |       |                      |                     |                     |
| T225-40  | 78.0                 |                 |       |       |                      |                     |                     |
| T225-52  | 92.0                 |                 |       |       |                      |                     |                     |
| T225-2B  | 21.5                 | 57.20           | 35.70 | 25.40 | 14.60                | 2.590               | 37.80               |
| T225-26B   | 160.0                |                 |       |       |                      |                     |                     |
| T225-52B   | 155.0                |                 |       |       |                      |                     |                     |
| T250-18  | 177.0                | 63.50           | 31.80 | 25.40 | 15.00                | 3.840               | 57.40               |
| T250-26  | 242.0                |                 |       |       |                      |                     |                     |
| T250-40  | 194.0                |                 |       |       |                      |                     |                     |
| T250-52  | 242.0                |                 |       |       |                      |                     |                     |