

5

4

3

SIZE  
C

SC2045

REV  
-

2

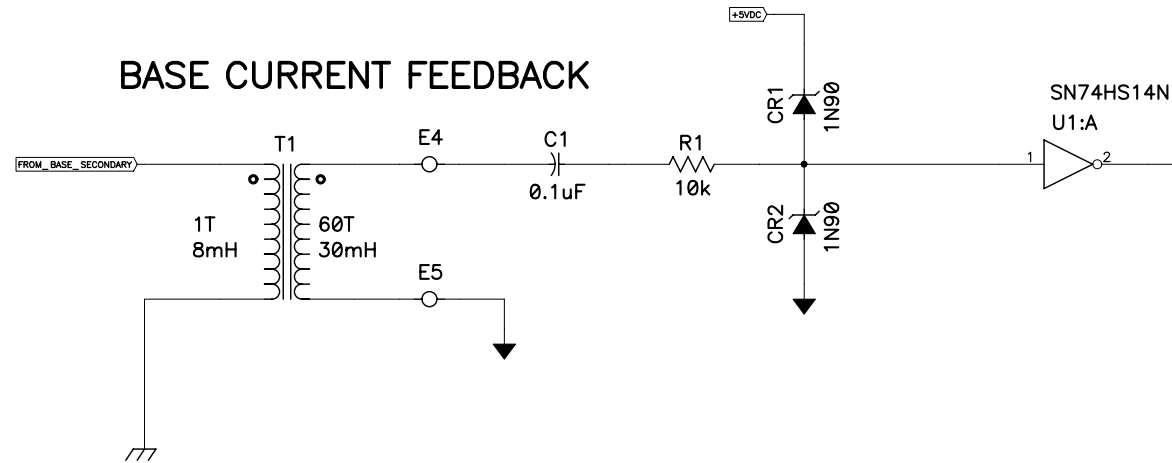
1

EASTERN VOLTAGE RESEARCH PROPRIETARY INFORMATION

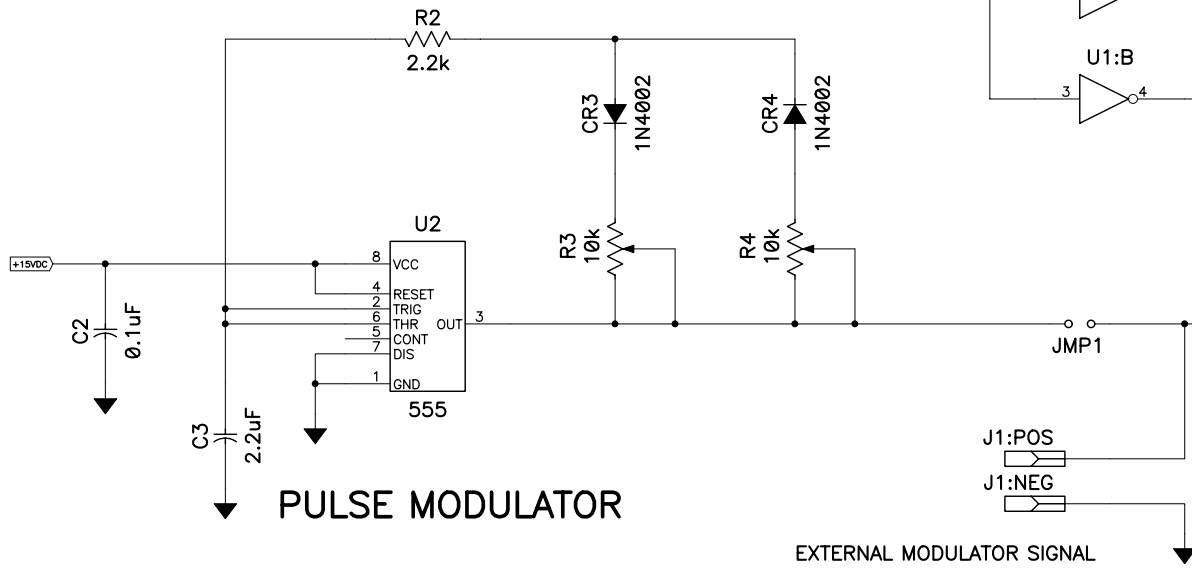
REVISIONS

LTR	DESCRIPTION	ZONE	ENG	DWG	DATE	APPROVED
-	INITIAL RELEASE		DHM			

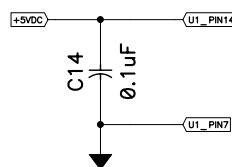
BASE CURRENT FEEDBACK



PULSE MODULATOR



DIGITAL POWER CONNECTIONS



NOTES:

- 1. 1N60 GERMANIUM DIODES CAN BE SUBSTITUTED FOR THE 1N90'S.

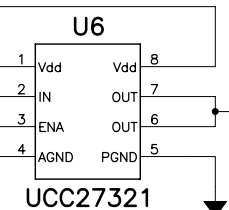
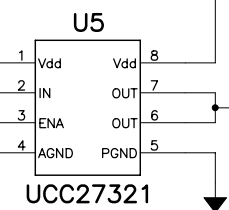
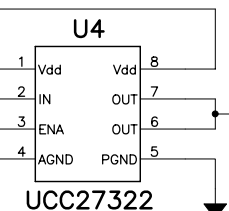
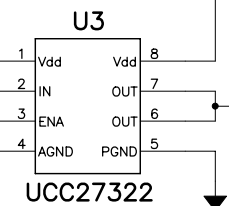
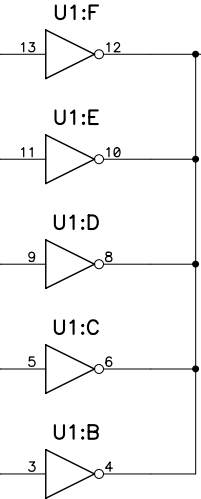
J1:POS  
J1:NEG

EXTERNAL MODULATOR SIGNAL

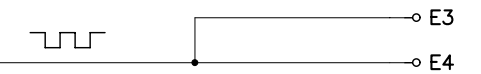
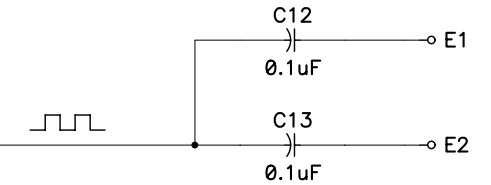
JMP1

MOD\_SIGNAL

SN74HS14N  
U1:A



GATE DRIVE OUTPUTS



TITLE EASTERN VOLTAGE RESEARCH BASE CURRENT FEEDBACK SELF-RESONANT DRIVER					
SIZE C	CAGE CODE IDENT NO.	DWG NO. SC2045	REV -		
SCALE NTS	ACT WT	CALC WT	SHEET 2 OF 3		
ACCEL CAD file: SC2045					

5

4

3

2

1

ACCEL CAD file: SC2045